



GASKETING

WOOD DUCKS - Wood ducks are one of the most stunningly pretty of all waterfowl. They live in wooded swamps and nest in holes in trees or “wood duck boxes” erected in their living areas. Wood ducks are equipped with strong claws which allow them to perch on branches.

Gasketing Product Index



	Page
Adhesive	G8-G12
Adjustable	G32-G33
Allseal Premium	G27
Anti-Ligature	G8
Anti-Microbial	G10-G11, G14-G16
Automatic Door Bottoms	G34-G38
Astragals	G48-G54
Bronze	G30-G31, G55
Concealed Fastener	G26, G36, G43, G50
Door Closer Compatible	G24, G25
Edge Sealing Systems	G8, G14-G16
Edge Sealing for Excessive Fire Door Clearances	G57
Edge Sealing for Excessive Fire Door Bottom Clearances	G58
Fast Attach Tape (FATT)	G12
Fasteners	G56
Foam Perimeter	G21
Intumescent	G14-G16
Kerf	G10, G21
Magnetic	G50, G55
Mullion	G13
Neoprene Perimeter	G18, G19
Nylon Brush Perimeter	G22, G23
Overhead Door	G47
Pile Perimeter	G17
Polyurethane Perimeter	G19
Rain Drip Guards	G55
Silicone Perimeter	G20, G21
Shoes	G38A-G43
Sound Rated	G4-G5
Steel Mounting Brackets	G32A
Sweeps	G44-G46
Stainless Steel	G28-G29
Vinyl Perimeter	G17

3	G32A	130BR	G30	284Q	G21	705E	G24
5V	G40	130S	G20	303N	G33	706	G25
6V	G40	130SS	G28	304N	G33	706E	G24
7	G32A	131N	G18	305N	G33	780	G34
12T	G43	132N	G18	310	G34	816N	G38A
12V	G40	133N	G18	312V	G42	816T	G38A
12T6	G42A	134N	G18	313V	G42	816T6	G38A
13T	G43	134S	G20	318V	G42	816V	G38A
13T6	G42A	135N	G19	319ET	G43	819N	G38A
13V	G40	136N, 136S	G47, 53	319ET6	G42A	819T	G38A
14R	G47, 51	136P	G53	319EV	G42	819T6	G38A
15N	G41	137N	G19, 48	319V	G42	819V	G38A
16	G55	137S	G21, 48	320	G36	1000R	G54
16SS	G28	139A	G52	331	G41	1015V	G45
17	G55	139BR	G30, 52	335	G36	1038N	G32
17BR	G30	139SP	G52	336P	G54	1390SP	G52
18V	G40	139SS	G28, 52	340P	G54	1392SP	G52
19V	G40	140P	G50	344	G43	2014R	G44
26N	G41	140S	G50	420N	G35	2525	G9
35ET	G43	141	G33	421N	G35	3038N	G33
35ET6	G42A	143	G53	422N	G37	4440	G38
35V	G42	144	G54	423N	G37	4441	G38
35EV	G42	149M	G50	520N	G35	4447	G38
36ET	G43	150U	G19	522N	G37	4448	G38
36ET6	G42A	151	G53	600	G23, 46, 49	5020	G10
36V	G42	152V	G17	601	G23, 46	5021	G10
36EV	G42	152S	G21	602	G22	5025	G10
43CB	G55	155V	G17	603	G22	5040	G9
54CP	G13	155S	G21	A605	G23, 46, 49	5050	G8
92T	G39, 43	156S	G21	B606	G23, 46, 49	5050 Anti-Lig	G8
92T6	G42A	156V	G17	C607	G23, 46	5060	G9
92TWH	G39	157M	G55	D608	G23, 46	5070	G11, 48
95WH	G41	158	G51	G610	G23, 46	5075	G11
96V	G45	159M	G55	G611	G23	5100	G13
97V	G45, 49	160S	G21	H612	G23, 46	9000	G27
98V	G45	160U	G19	H614	G23	9001	G20, 27
99	G39	160V	G17	I-615	G23	9002	G20, 27
99T6	G42A	161N	G19	I-616	G23	9115	G27, 48
99T	G39, 43	161P	G17	A617	G22	9125	G27, 48
99TWH	G39	161S	G21	C619	G22	9125SS	G28
100V	G45	161U	G19	D620	G22	9200	G57
101V	G45	161V	G17	FS10	G59	9225	G57
102V	G45	162S	G21	FS22	G59	9250	G58
103N	G32	164V	G17	FS34	G59	9275	G57
104N	G32	165N	G18	FSSP	G59	9450	G14
105N	G32	165S	G20	G622	G22	9500	G16
106	G32	170	G26	H623	G22	9500 x 2525	G15
107	G32	172	G26	I-624	G22	9500 x 5020	G15
108N	G18	176	G51	A625	G22	9550	G14
109N	G51	178S	G51	F625	G22	9600	G27, 46, 48
109SS	G28	PF180	G12	A626	G22	9605	G27, 46, 48
110N	G18	PF183	G12	C627	G46	9675	G27, 44, 46, 48
110S	G20	184Q	G21	OV633	G23, 46	9700	G25
112N	G41	185P	G17	OV634	G23, 46	9700E	G24
113N	G41	189M	G50	A635	G53	9706E	G24
114	G51	190V	G17	D648	G22	9750	G15
115N	G48	197N	G44	672	G26, 45, 49	9800	G16
116N	G47, 53	198	G44	673	G45	9850	G15
118N	G41	199N	G44	674	G45	81369N	G47
119N	G41	200	G44	675	G26, 45, 49	FATT	G12
120N	G18	200BR	G31	678	G45	Fasteners	G56
120S	G20	200SS	G28	679	G45		
120SS	G28	201N	G44	680	G35		
122N	G18	202N	G44	682	G37		
122SS	G28	203N	G44	683	G37		
125N	G48	220	G34	700	G25		
125SS	G28	221SS	G29, 34	700E	G24		
127N	G18	221BR	G31, 34	701E	G24		
127S	G20	222	G34	701P	G25		
127SS	G28	223	G35	703V	G25		
129N	G19	225	G36	703E	G24		
129U	G19	229SS	G29, 34	704V	G25		
129SS	G28	229BR	G31, 34	704E	G24		
130N	G18	254P	G40	705V	G25		

Rating Symbols Legend



POSITIVE PRESSURE - CERTIFIED by UL to ANSI/UL10C; complies with IBC, NFPA 80 and NFPA 252 for application to Hollow Metal fire doors rated up to 3 Hrs., and Wood fire doors rated up to 90 minutes (some ratings vary as noted).



CERTIFIED by UL to CAN/ULC-S104 and ANSI/UL10B; complies with NFPA 80 and NFPA 252 for application to Hollow Metal fire doors rated up to 3 Hrs., and Wood fire doors rated up to 90 minutes (some ratings vary as noted).



NGP-EDGE® SEALING SYSTEM, Certified by UL to ANSI/UL10C Category 'G'; required for Category B wood fire doors to meet positive pressure requirements complying with IBC, and NFPA 252. See individual products for maximum door size and ratings.



SMOKE & DRAFT CONTROL GASKETING, Certified by UL to ANSI/UL10C and ANSI/UL 1784 Category 'H'; complies with IBC and NFPA 105 for use on 'S' labeled Positive Pressure Hollow Metal fire doors rated up to 3 hours, and Wood fire doors rated up to 90 minutes (some ratings vary as noted).



ACOUSTICAL TESTED to ASTM E90 Standard Test Method for Laboratory Measurement of Airborne Sound Transmission Loss of Building Partitions and Elements, and ASTM E2235 Standard Test Method for Determination of Decay Rates for use in Sound Insulation Test Methods. Refer to information on pages G4 and G5 for test result data.



AIR INFILTRATION TESTED to ASTM E283, Standard Test Method for Determining Rate of Air Leakage Through Exterior Windows, Curtain Walls, and Doors.



ANTI-MICROBIAL. Treated with an anti-microbial additive to inhibit the growth of microorganisms.



ANSI/BHMA CERTIFIED. Certified gasketing complies with American National Standard for Door Gasketing and Edge Seal Systems ANSI/BHMA A156.22, and is listed in the BHMA Certified Products Directory.



Online product listings: www.ul.com/database



LEED Green Building

The LEED (Leadership in Energy and Environmental Design) Green Building Rating System® is a national standard for developing high-performance, sustainable buildings developed by the U. S. Green Building Council.

Our current LEED letter containing LEED qualification information for all our products is available at www.ngp.com

Environmental Product Declarations (EPD) prepared and certified by an Independent Laboratory based on Life Cycle Assessments (LCA) of our products may be viewed on our website, www.ngp.com

Health Product Declarations (HPD) may be viewed on our website, www.ngp.com

National Guard Products sustainability report may be viewed on our website, www.ngp.com

Contact us regarding our end of use product recycling program.

Materials

Metal retainers for gasketing are Aluminum Alloy 6063, T5 temper, unless noted.

Architectural Bronze gasketing is Alloy CDA 385 (Copper Alloy No. C38500), Architectural Bronze.

Stainless steel gasketing is Type 304; known for its excellent corrosion resistance, high tensile strength and resistance to oxidation.

NGP utilizes a variety of gasketing materials including Vinyl, Neoprene, Silicone, Nylon Brush, Thermo-Plastic Elastomers (TPE), Thermo-Plastic Vulcanizates (TPV), Polypropylene Pile, Ethylene-Propylene-Diene-Monomer (EPDM), Polyurethane, and Intumescent Fire Seals. Product Illustrations indicate the Gasketing material. Properties of many primary gasket materials are listed on the perimeter seal catalog pages.

Adhesive mounted gasketing utilizes a pressure sensitive modified acrylic adhesive protected by a release liner. Once installed it provides a permanent bond in exterior or interior locations. End use temperature range is -30°F up to 250°F. Shelf life of adhesive prior to installation is one year when stored at 75°F and 50% relative humidity or less.

Gasketing Finishes

				<u>NGP Suffix:</u>
Aluminum:	Mill Finish	ANSI/BHMA 719	US27	None
	Anodized Aluminum	ANSI/BHMA 628	US28	A
	Dark Bronze			DKB
	Gold			B
	Polished	ANSI/BHMA 717		POL
	Powder Coated Colors – See Page L2 for details			
Architectural Bronze:	Satin Finish	ANSI/BHMA 728	US4	BR
	Dark Bronze Oil Rubbed	ANSI/BHMA 722	US10B	BR-DKB
	Polished	ANSI/BHMA 721	US3	BR-POL
Stainless Steel:	Brushed (#4)	ANSI/BHMA 630	US32D	None
Gasket Materials:	Neoprene is Black			N
	NGP-TPV is Black			N
	Polyurethane is Black			U
	Vinyl is Gray, except where noted as Black			V
	Silicone colors: Black, Brown, Clear, Gray, Tan, White			S
	Thermoplastic is Brown			T, T6
	Nylon Brush colors: Black, Gray			
	TPE colors: Brown, Charcoal, Clear, White			
Polypropylene Pile is Gray				
EPDM is Gray				

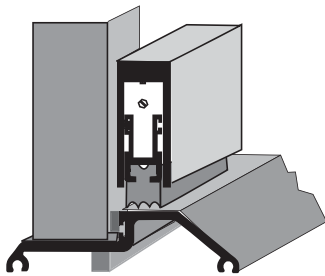
Powder Coat Finish

Powder Coat finish is available on most metal gasketing retainers upon request. Refer to page L2 for standard color options. Consult factory for custom color matching.

Sound Transmission Class (STC) Rated Single Door Assemblies

The chart below indicates the STC rating of specially made acoustic doors using various applications of gasketing. The first column is the rating of the door panel only; tested in a static inoperable condition to determine the sound transmission through the door. The second column is the rating of the operable door installed with hardware and gasketing which provides the STC rating of the door assembly.

Acoustical testing to ASTM E90 Standard Test Method for Measurement of Airborne Sound Transmission Loss of Building Partitions and Elements and ASTM E2235 Standard Test Method for Determination of Decay Rates for use in Sound Insulation Test Methods. The sound transmission class (STC) was calculated in accordance with ASTM E413 Classification for Rating Sound Insulation.



897NS x 420N

STC Rating Static Door Panel	STC Rating Operable Door w/ Gasketing	Perimeter Seals	Door Bottom	Threshold
30	30	103N, 107N, 120N, 122N 127N, 133N, 134N, 137N 137S, 303N, 700N, 700S	420N	897NS
30	30	130S	225S	896S
30	30	107S	220S	950S
33	31	5020	780S	513
35	33	5025	780S	513
36	33	5050	335N	513
35	34	5020, 5075	780S	513
35	35	5070, 9750, 9850	335S	896S
40	37	5020, 5025	780S	513
40	37	5075	12T	513
40	37	103N, 107N, 303N	420N	897NS
40	38	•(2) 5050	335N	896S
40	39	120N, 122N, 133N, 134N 137N, 137S, 700N, 700S	420N	897NS
40	39	107S	220S	950S
44	39	1038N, 3038N	423N	896S
43	39	•(2) 5050	420N	412
42	40	•(2) 5050	Mortise 312V	896S
43	40	•(2) 5050	423N	896S
44	40	131N	335N	896S
47	41	103NFS	422N	897NS
45	42	•(2) 5050	335N	896S
47	43	•(2) 5050	423N	896S
50	43	103N, 134N	420N	897NS
50	43	107S	220S	950S
51	43	159M	420N	897NS
48	44	•(2) 5050	423N	896S
49	44	103NFS	422N	8434S
52	44	107N, 131N, 1038N, 3038N	420N	897NS

• Indicates 2 rows of 5050 installed as follows:



Sound Transmission Class (STC) Rated Pairs of Doors

Pairs of doors are intrinsically more difficult to control sound transmission through. Sealing the gap between the meeting edges under the doors is challenging, requiring a combination of properly coordinated and installed gasketing to seal all gaps.

STC Rating Static Door Panel	STC Rating Operable Door w/ Gasketing	Perimeter Seals	Door Bottom	Threshold	Astragal
35	35	5020		896S	5070
35	35	5070		896S	5070
35	34	5020	780S	512	5070
35	33	5025		896S	5070

Standard Doors without Special Acoustic Cores

Solid core wood doors with gasketing test to an STC rating of approximately 28 to 30. Mineral core wood doors and Honey comb core hollow metal doors with gasketing test to an STC rating of approximately 32 to 36. Without gasketing these doors have no sound control and test to an STC rating between 15 and 20.

To most effectively reduce sound transmission and maximize the acoustic performance we recommend the following be used:

PERIMETER AND DOOR BOTTOMS

- 107S Perimeter Seal
- 700S Seal at head if a parallel arm closer is used
- 220S Automatic Door Bottom
- Any Threshold - To allow proper sealing of Automatic Door Bottom

MEETING EDGE of PAIRS

- 109N Overlapping Astragal
- 5070 Adhesive Astragal
- 115N Astragal Set

School Classroom Door STC Requirements

ANSI/ASA S12.60 Acoustical Performance Criteria, Design Requirements, and Guidelines for schools requires interior doors opening into core learning spaces to achieve STC 30 or greater in their operable condition and interior doors into music rooms at least STC 40.

ANSI/BHMA

The following interprets ANSI/BHMA numbers which identify type and function of products. For products that meet ANSI/BHMA Standards, look for the BHMA certified logo next to the product in our catalog. For a complete listing refer to the BHMA Certified Products Directory, available online at www.buildershardware.com

ANSI/BHMA A156.22 American National Standard for Door Gasketing and Edge Seal Systems

1 Product Section	2 Retainer Material	3 Gasketing Material		4 Product Type	5 Material Application	6 Gasketing Rating
"R" designates Gasketing	1. Brass or Bronze 3. Aluminum 5. Stainless Steel 0. Optional material or none used	A. Brush B. Neoprene, solid C. Neoprene, closed cell D. Vinyl E. Silicone Rubber F. Pile G. Thermoplastic Elastomer (TPE) H. Thermoplastic Urethane (TPU) J. Thermoplastic Rubber K. Spring Metal L. Magnetic M. Felt N. Rubber Fabric P. Intumescent Q. Intumescent/Brush	R. Intumescent /Neoprene, solid S. Intumescent /Neoprene, closed cell T. Intumescent/ Vinyl U. Intumescent / Silicone Rubber V. Intumescent/ Pile W. Intumescent / Thermoplastic Elastomer (TPE) X. Intumescent / Thermoplastic Urethane (TPU) Y. Optional material or none used Z. Intumescent / Thermoplastic Rubber	1. Head & Jamb 2. Head & Jamb, Adjustable 3. Automatic Door Bottom 4. Door Sweep or Shoe 5. Door Sweep or Shoe with Drip Cap 6. Astragal Overlapping 7. Astragal Split or Compensating 8. Astragal Adjustable 9. Rain Drip without gasket 0. Other	1. Door Edge 2. Door Edge, Mortise 3. Door Face 4. Door Face, Semi-Mortise 5. Frame Rabbet (surface or mortise) 6. Frame Soffit (H.M.) 7. Frame Face 8. Kerf 9. Stop (H.M.), Stop Face (WD) 0. Other	0. Smoke/Energy Performance/ Acoustic Rated 1. Smoke/Energy Performance rated. 2. Smoke/Acoustic Rated 3. Energy Performance/ Acoustic Rated 4. Smoke Rated 5. Energy performance Rated 6. Items not rated. 7. Acoustic Rated

Buy American Requirements

Buy American Act

Over 99% of our products are produced in the United States as a domestic construction material, as defined in the Buy American Act (BAA) of March 1933 and amended by the Buy American Act of 1988 and FAR 52.225-9. A Buy American certificate may be obtained on our website www.ngp.com

Federal American Recovery and Reinvestment Act

More than 99% of our products qualify as manufactured products produced in the United States as manufactured goods, as defined in OMB Guidance (176.140; 176.70(a) (2) (ii); 176.160, complying with the Federal American Recovery Reinvestment Act, ARRA-2009. Contact us for a Buy America ARRA certificate for your project.

Buy America

More than 99% of our products comply with Buy America Requirements of 49 U.S.C. 5323(j)(1), and the applicable regulations in 49 CFR part 661. Contact us for a Certificate of Compliance for your project.

Components of unknown origin are considered to have been produced or manufactured outside the United States.

The International Building Code (IBC)

The International Building Code (IBC) requires swinging fire doors to be tested in accordance with ANSI/UL 10C or NFPA 252, with the neutral pressure level established at 40 inches or less above the sill. This causes “positive pressure” forces against the door assembly above 40 inches.

The result is hot gases and smoke leak out between the door and frame above this level, posing a serious threat to life-safety; and on wood doors rapidly deteriorating the integrity of the door edges, requiring either a built-in or supplemental “edge sealing system” to pass the test.

Fire door assemblies in corridors and smoke barrier walls are required to be smoke and draft control assemblies tested in accord with UL1784 allowing a maximum air leakage of 3 cubic feet per minute per square foot of door opening at ambient temperature (75°F) and elevated temperature (400°F). These assemblies require the letter “S” on the fire rating label of the door indicating compliance “when listed or labeled gasketing is also installed.”

Fire doors are classified into category **A** or **B** based upon their construction and edge sealing system requirements. Fire-rated gasketing is classified as follows:



Category G - Edge Sealing Systems



Category H - Smoke and Draft Control Gasketing



Category J - Gaskets other than Category G or H.

Category A classified fire doors:

Hollow Metal Fire-Rated Doors
Wood Fire-Rated Doors constructed with edge seals built-in during the manufacturing process.

Require Category H – Smoke and Draft Control Gasketing at **perimeter** and at **meeting edge of pairs** of “S” label doors in corridor locations or smoke barrier walls.

Require Category H – Smoke and Draft Control **door bottom seals** on “S” label doors where pressurization is provided to restrict smoke movement (typically controlled by HVAC system).

The following products are recommended UL classified Category H for wood doors - 90 min. max., hollow metal doors - 3 hour max.



Perimeter: 2525, 5020, 5025, 5040, 5050, 5070, 5075



Meeting edge of pairs: 115N, 125N, 137N, 137S, 5070, 9115, 9125, 9600, 9605

Category B classified fire doors:

Wood Fire-Rated Doors that require the addition of a Category G classified edge sealing system in the field.

Require Category G – Edge Sealing System, at **perimeter** and at **meeting edge of Pairs**.

Require Category H – Smoke and Draft Control Gasketing at **perimeter** and at **meeting edge of pairs** of “S” label doors in corridor locations or smoke barrier walls.

Require Category H – Smoke and Draft Control **door bottom seals** on “S” label doors where pressurization is provided to restrict smoke movement (typically controlled by HVAC system).

The following products are recommended UL classified for both category G and H:

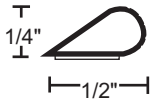


Perimeter 20 minute: 5050
Perimeter 45, 60, 90 minute: 9450, 9550, 9750, 9850



Meeting edge of pairs: 9550

Self-Adhesive Silicone Gasketing



- 5050B** Brown
- 5050C** Charcoal
- 5050W** White
- 5050T** Tan
- 5050CL** Clear

Available in 17', 20', 21', 25' and 300' rolls.

Silicone Bulb Fire and Smoke Seal



Edge Sealing System - Category "G" for 20 minute rated category B wood doors perimeter application up to:

- single swing 4'0 x 8'0
- pairs 8'0 x 8'0
- use 9550 at the meeting edge of pairs

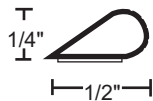
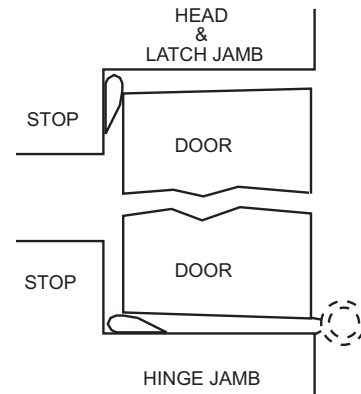


Smoke and Draft Control - Category "H"
Up to 3 hours Hollow Metal fire doors
Up to 90 minutes Wood fire doors



Meets requirements of RoHS Directive

See adhesive specifications on page G9



- ANTI-LIG 5050B** Brown
- ANTI-LIG 5050C** Charcoal
- ANTI-LIG 5050W** White
- ANTI-LIG 5050CL** Clear

Available per foot (bulk) or in stock length 300' rolls.

Anti-ligature Silicone Bulb Fire and Smoke Seal

5050 silicone bulb seal available with serrations every 8" designed to break apart preventing it from being used to hang or strangle.

Applications include psychiatric facilities, prisons and other treatment facilities.

Installs as a continuous length providing the same sealing properties for light, sound, air and smoke as our original 5050.



Edge Sealing System - Category "G" for 20 minute rated category B wood doors perimeter application up to:

- single swing 4'0 x 8'0
- pairs 8'0 x 8'0
- use 9550 at the meeting edge of pairs

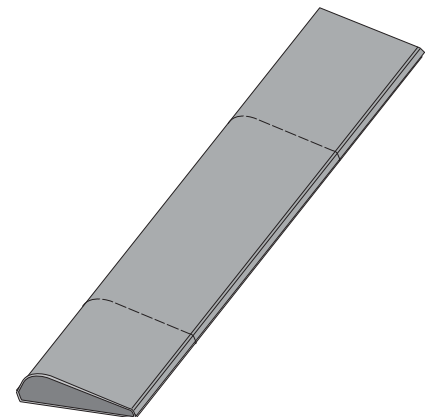


Smoke and Draft Control - Category "H"
Up to 3 hours Hollow Metal fire doors
Up to 90 minutes Wood fire doors

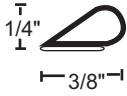


Meets requirements of RoHS Directive

See adhesive specifications on page G9



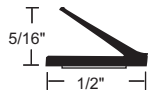
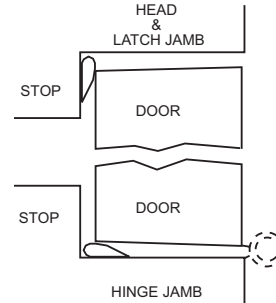
Self-Adhesive Silicone Gasketing



- 2525B** Brown
- 2525C** Charcoal
- 2525W** White

Silicone Bulb Smoke Seal

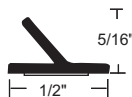
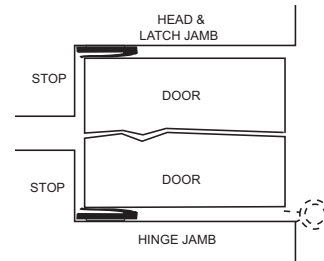
Available in 17', 20', 21', 25' and 300' rolls.



- 5040B** Brown

Silicone Fin Smoke Seal

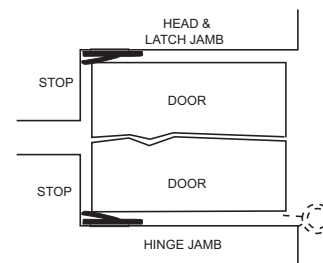
Available in 17', 20', 25', 300' rolls



- 5060B** Brown
- 5060CL** Clear

Silicone Fin Smoke Seal

Available in 17' and 21' rolls.

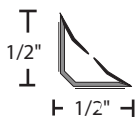


Adhesive specifications: Modified acrylic pressure sensitive adhesive protected by release liner. Provides high initial adhesion and long term holding power for permanent mounting in exterior or interior locations. Resistant to aging, weathering, UV radiation, water, detergent, alcohol and the influence of chemicals. End use temperature range, long term exposure -30°F up to 250°F. Shelf life of adhesive prior to installation is one year when stored at 75°F and 50% relative humidity or less.

Self-Adhesive TPE Gasketing

Properties:

- Thermo-Plastic Elastomer (TPE)
- Good abrasion resistance
- Moisture resistant
- BHMA certified to ANSI/BHMA A156.22 performance tests for heat, cold, air infiltration and smoke infiltration
- Adhesive specifications shown on page G9
- Rigid PVC base with flexible elastomeric fins
- Flame resistant
- Temperature range -60°F to 275°F
- Anti-microbial: treated with an anti-microbial additive to inhibit the growth of microorganisms.
- REACH and RoHS compliant

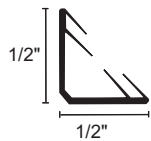
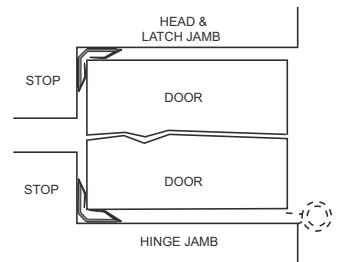


TPE Batwing Smoke Seal

- 5020B** Brown
- 5020C** Charcoal
- 5020W** White
- 5020CL** Clear



Available in 36", 48", 72", 84", 96" and 108" lengths



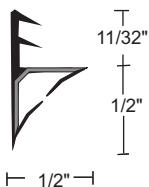
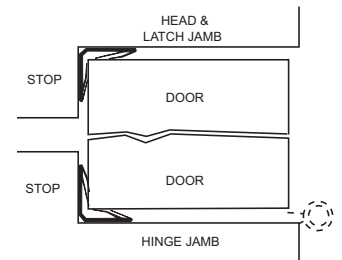
TPE Double Batwing Smoke Seal

Superior sealing characteristics against smoke, air & sound

- 5025B** Brown
- 5025C** Charcoal
- 5025W** White
- 5025CL** Clear



Available in 36", 48", 72", 84", 96" and 108" lengths



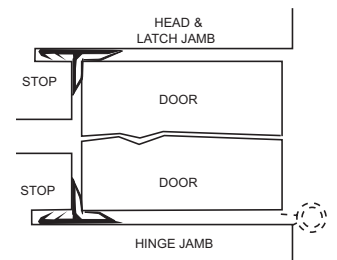
TPE Batwing Smoke Seal (Kerf Press-in)


- 5021B** Brown
- 5021C** Charcoal
- 5021W** White



Fits Kerf 1/8" wide x 7/16" deep

Available in 36", 48", 84", 96" and 108" lengths



 * Anti-microbial not available in clear

Self-Adhesive TPE Gasketing

Properties:

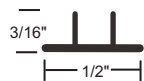
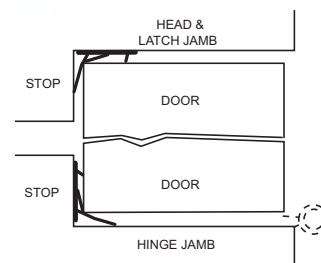
- Thermo-Plastic Elastomer (TPE)
- Good abrasion resistance
- Moisture resistant
- BHMA certified to ANSI/BHMA A156.22 performance tests for heat, cold, air infiltration and smoke infiltration
- Adhesive specifications shown on page G9
- Rigid PVC base with flexible elastomeric fins
- Flame resistant
- Temperature range -60°F to 275°F
- Anti-microbial: treated with an anti-microbial additive to inhibit the growth of microorganisms.
- REACH and RoHS compliant



5075B Brown
5075CL Clear



Available in 36", 48", 72", 84", 96" and 108" lengths



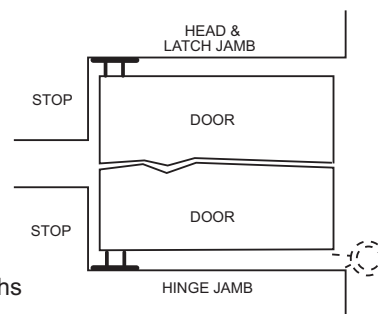
TPE Double Shark Fin Smoke Seal


Smoke rated for perimeter and/or meeting edge astragal applications

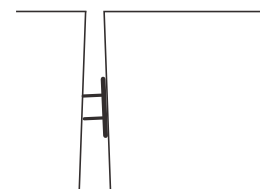
5070B Brown
5070CL Clear



Available in 36", 48", 72", 84", 96" and 108" lengths



 * Anti-microbial not available in clear



Astragal application
pair of doors

Self-Adhesive Gasketing

Adhesive bonds for permanent mounting once installed

Shelf life of adhesive products prior to installation is one year

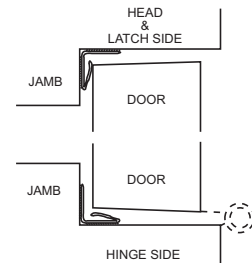
Rigid Black Vinyl Seal

PF180



*up to 3 hours metal doors, 60 minute wood doors

Available in 36", 48", 86", 96" & 120" lengths



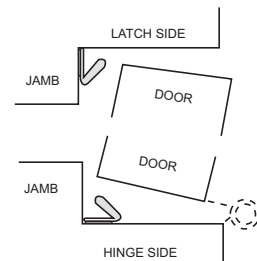
Q-Ion Foam Seal

PF183 Brown polyethylene liner, foam core



*up to 3 hours metal doors, 60 minute wood doors

Available in 36", 48", 86", 96" & 120" lengths



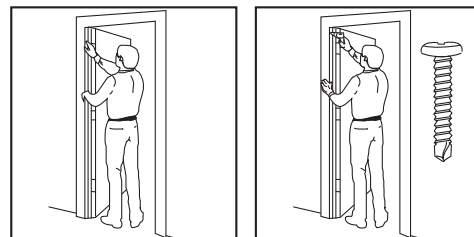
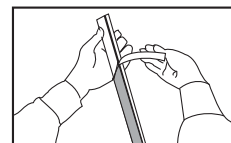
"FATT"

Fast Attach Two-Way Tape

Fast attach two way tape provides an easy and effective alternative for gasketing installation. Two way tape is applied to the metal housing insuring a quick and easy installation. Then for security, 3 tek-type self drilling screws are provided to further secure each piece of material to the frame stop. A no problem installation with no holes to drill.

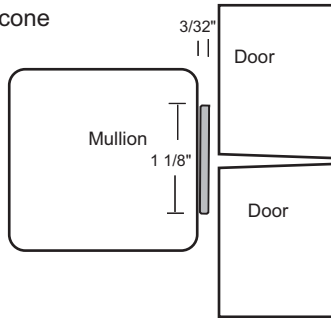
To order add suffix "FATT" to product number. See price list for products available with this feature.

FATT IS NOT CLASSIFIED FOR USE ON FIRE DOORS.



Seal for Mullion Applications

5100N Black Silicone
5100S Gray Silicone



Closed cell silicone sponge strip 1-1/8" wide x 3/32" thick with an adhesive strip for mounting directly to the face of the mullion that doors close against.



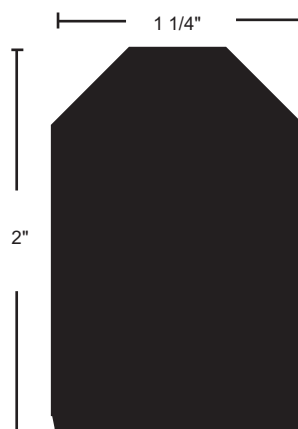
Available in 86" and 96" lengths

Self-Adhesive

See adhesive specifications on page G9

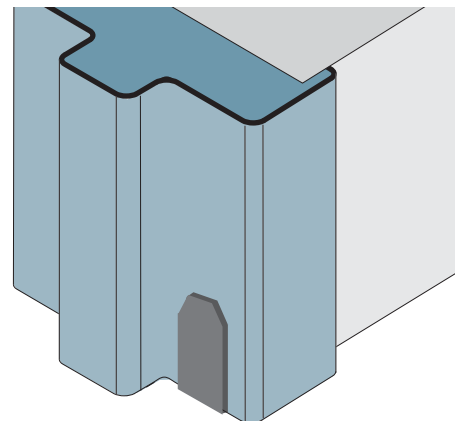
Corner Pad

54CP Black polypropylene pile

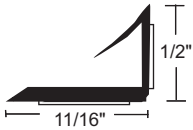


Helps acoustics and seals corner gap for air leakage control. Apply to jamb on hinge side, opposite bottom corner of door edge.

Self Adhesive



NGP-Edge® Sealing System/Smoke and Draft Control Gasketing Category “G” and “H” Classified



9450B Brown
9450C Charcoal



Intumescent with TPE Fin Fire and Smoke Seal



20, 45, 60, 90 minute rated category B wood doors perimeter application up to:

single swing 4'0 x 9'0

standard pair 8'0 x 9'0 use 9550 at the meeting edge

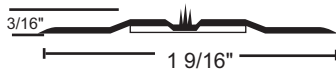
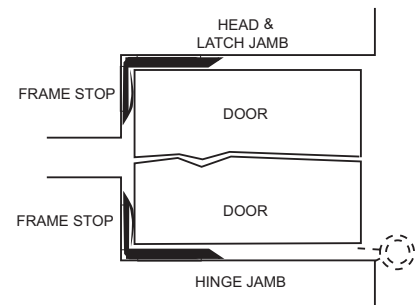


1/8" clearance required between door and frame

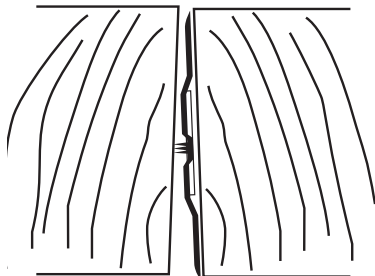
Available in 36", 48", 84", 96" and 108" lengths

Self-Adhesive

See adhesive specifications on page G9



9550 Gray
9550DKB Brown



NGP-Edge® Intumescent with TPE Fins Fire and Smoke Seal



20, 45, 60, 90 minute rated category B wood doors up to:

single swing 4'0 x 9'0, perimeter application

pairs 8'0 x 9'0, perimeter/meeting edge

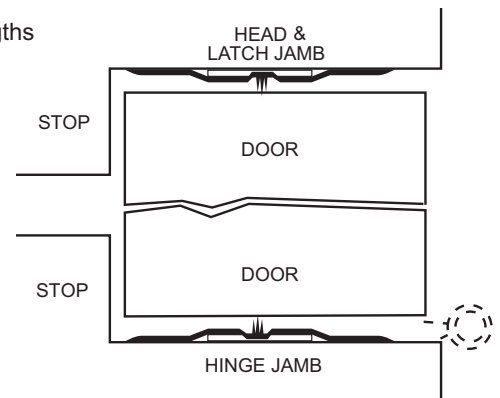


1/8" clearance required between doors and between door & frame

Available in 36", 48", 84", 96" and 108" lengths

Self-Adhesive

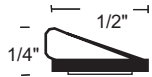
See adhesive specifications on page G9



NGP-Edge® Sealing System/Smoke and Draft Control Gasketing Category 'G' and 'H' Classified



9850B Brown
9850C Charcoal



9750B Brown
9750C Charcoal

Intumescent with TPE Fire and Smoke Seal



20, 45, 60, 90 minute rated category B wood doors perimeter application up to:

single swing 4'0 x 9'0
pairs 8'0 x 9'0

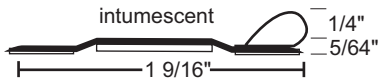


1/8" clearance required between door and frame

Available in 36", 48", 84", 96" and 108" lengths

Self-Adhesive

See adhesive specifications on page G9



9500DKB x 2525B Brown
9500 x 2525B Gray x Brown
9500 x 2525W Gray x White



20, 45, 60, 90 minute rated category B wood doors perimeter application up to:

single swing 4'0 x 9'0
pairs 8'0 x 9'0

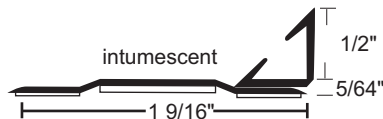


1/8" clearance required between door and frame

Available in 36", 48", 84", 96" and 108" lengths

Self-Adhesive

See adhesive specifications on page G9

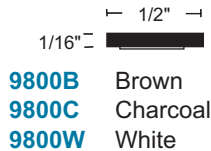


9500DKB x 5020B Brown
9500 x 5020B Gray x Brown



NGP-Edge® Sealing Systems - Category 'G' Classified

NGP Intumescent materials are formulated to expand at 375°F to 400°F up to 8-10 times their original thickness; completely sealing the gap around and between doors during a fire.



Intumescent with Protective Skin

Available in 17', 21' and 150' rolls

Self-Adhesive

See adhesive specifications on page G9



Intumescent Fire Seal

Perimeter Application:



20, 45, 60, 90 minute rated category B wood doors up to

single swing 4'0 x 9'0

pairs 8'0 x 9'0

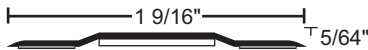
Meeting Edge Application up to 8'0 x 9'0 pairs of category B wood doors:



20 Minute rated with single strip installed



45, 60 Minute rated with two strips installed



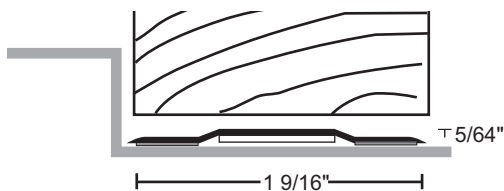
9500 Gray
9500DKB Brown

Intumescent with PVC cover

Available in 36", 48", 84", 96" and 108" lengths

Self-Adhesive

See adhesive specifications on page G9



NGP-Edge® Intumescent Fire Seal

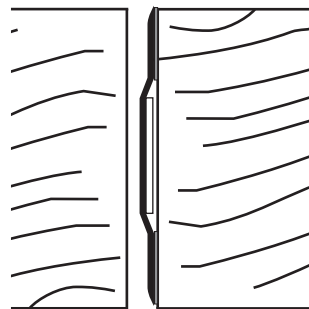


20, 45, 60, 90 minute rated category B wood doors up to:

single swing 4'0 x 9'0, perimeter application

pairs 8'0 x 9'0, perimeter/meeting edge

U.S. Pat. DES 417,739



1/8" clearance required between doors and between door and frame

Vinyl Seals

All vinyl seals this section

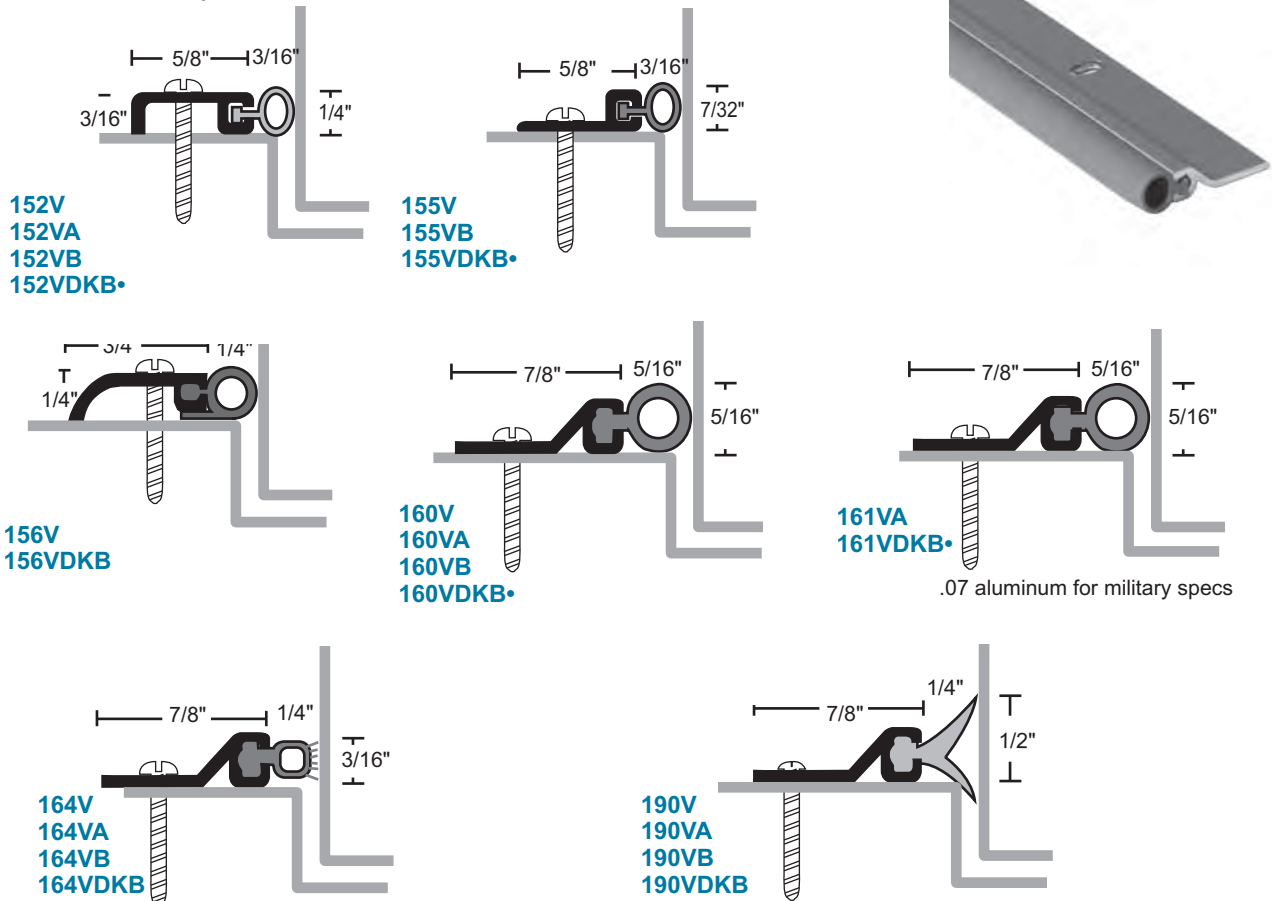
Properties

- Thermoplastic polymer: Polyvinyl Chloride (PVC) formulated with an environmentally friendly Bio-based plasticizer
- Economical
- Flame resistant
- Moisture resistant
- Temperature range 0°F to 140°F
- Oxidative degradation from age and exposure to Cold, Heat and UV causes hardening, loss of memory and resilience, cracking, crazing and discoloration



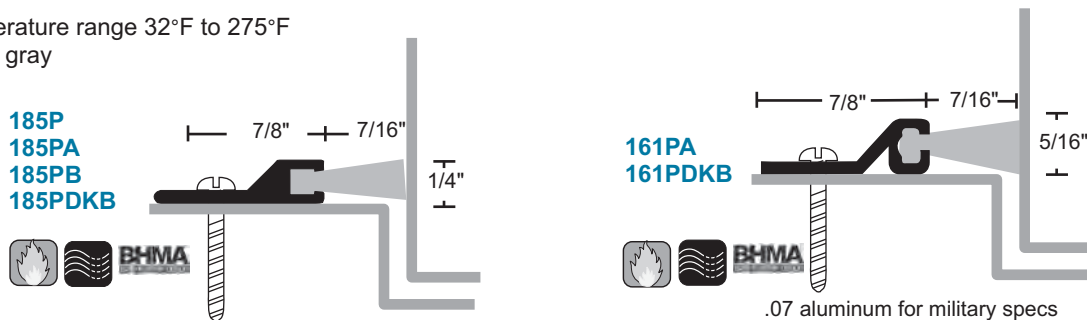
A - anodized aluminum
B - gold
DKB - dark bronze
 no suffix - mill aluminum
 vinyl is gray
 exception: •vinyl is black

#6 x 3/4" Stainless Steel Sheet Metal Screws furnished
 Screw holes slotted for adjustment



Polypropylene Pile Seals

Temperature range 32°F to 275°F
 Pile is gray



Neoprene Sponge Seals

Properties:

- Synthetic rubber polymer blend: PVC, Nitrile rubber (NBR), and Chloroprene closed cell advanced elastomeric foam
- Very good abrasion resistance, tensile strength and memory
- Flame resistant
- Moisture resistant
- Temperature range -20°F to 200°F
- Good resistance to ozone, sunlight and aging
- BHMA Certified to ANSI/BHMA A156.22 performance tests for Heat, Cold, Air Infiltration and Smoke Infiltration

#6 x 3/4" Stainless Steel Sheet Metal Screws furnished.
Screw holes slotted for adjustment

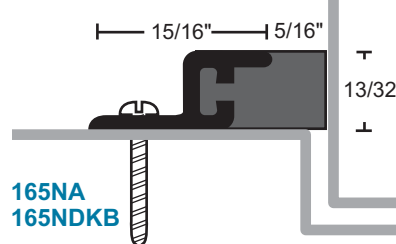
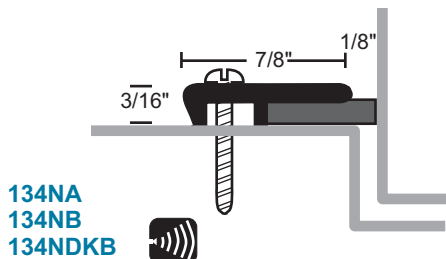
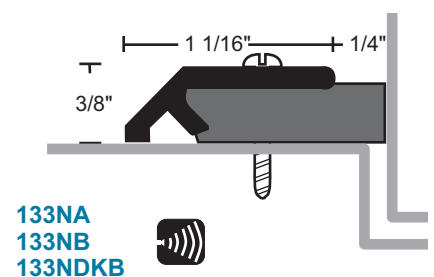
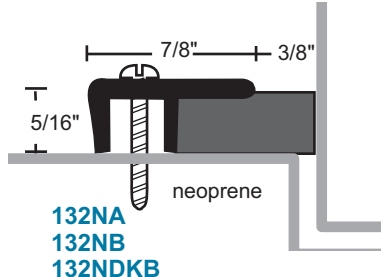
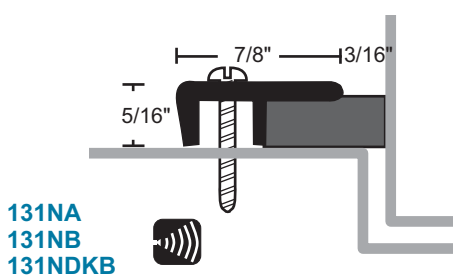
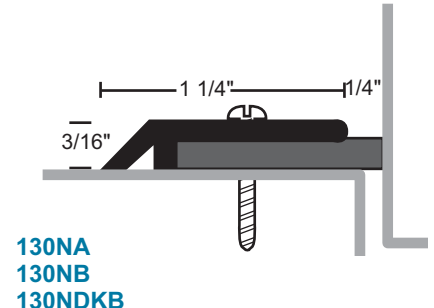
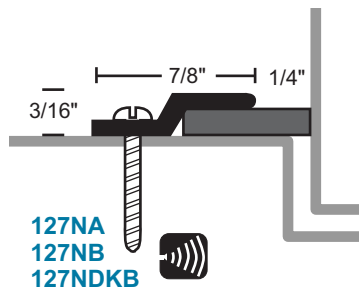
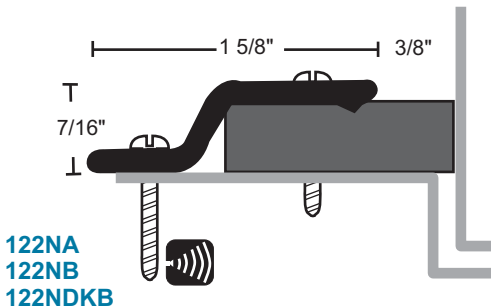
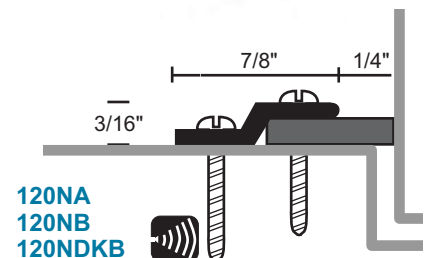
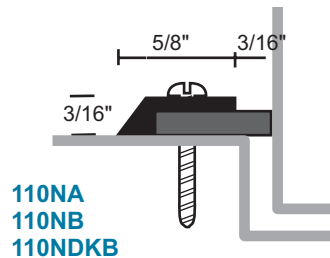
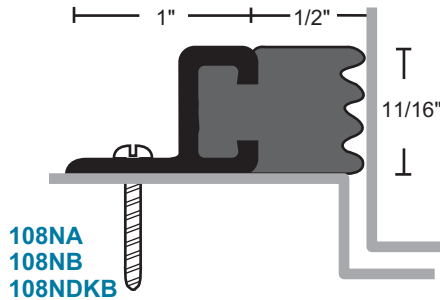
All products this page



A - anodized aluminum
B - gold
DKB - dark bronze
neoprene is black



Closed Cell Sponge



Neoprene Bulb Seals

Properties:

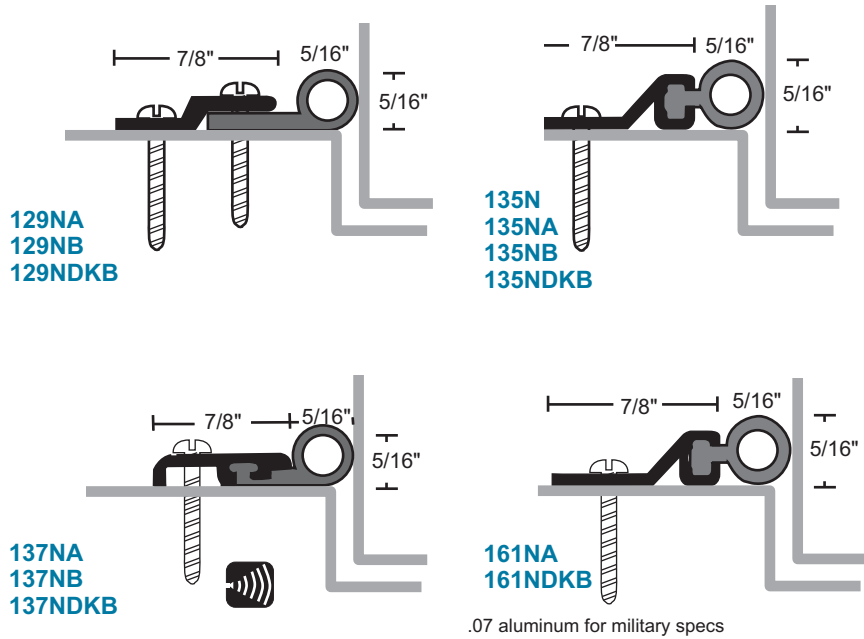
- Synthetic rubber polymer blend: Chloroprene and EPDM
- Very good abrasion resistance, tensile strength and memory
- Flame resistant
- Moisture resistant
- Temperature range -20°F to 200°F
- Good resistance to ozone, sunlight and aging
- BHMA Certified to ANSI/BHMA A156.22 performance tests for Heat, Cold, Air Infiltration and Smoke Infiltration

#6 x 3/4" Stainless Steel Sheet Metal Screws furnished
Screw holes slotted for adjustment

All neoprene seals this section



Dense Bulbs

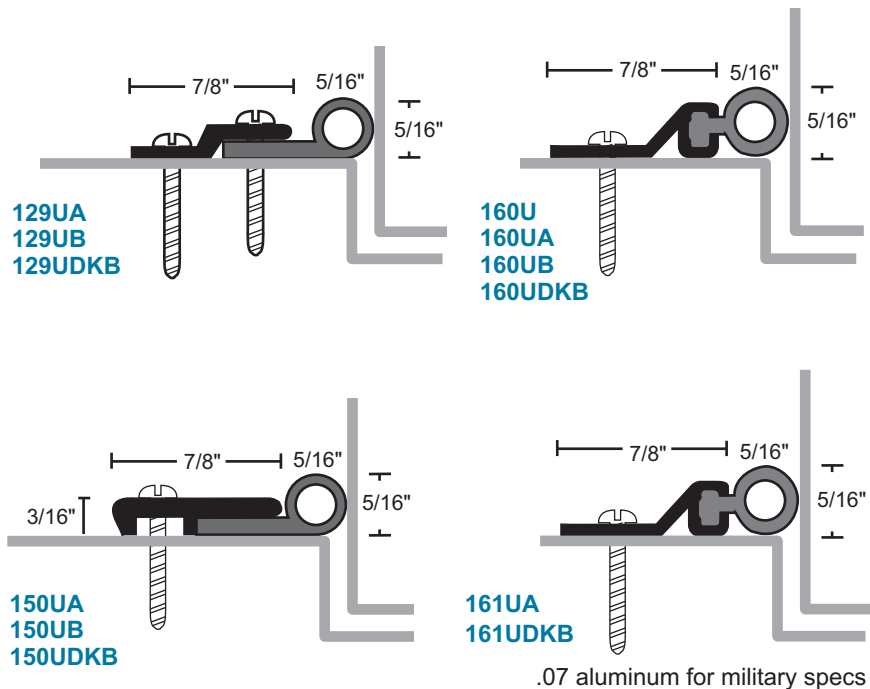


Polyurethane Seals

Properties:

- Very good abrasion resistance, tensile strength, memory and UV resistance.
- Flame resistant
- Moisture resistant
- Temperature range -65°F to 175°F

#6 x 3/4" Stainless Steel Sheet Metal Screws furnished
Screw holes slotted for adjustment



All polyurethane seals this section



- A - anodized aluminum
- B - gold
- DKB - dark bronze
- no suffix - mill aluminum
- neoprene is black
- polyurethane is black

Silicone Seals

Properties:

- Synthetic rubber polymer: Siloxane closed cell sponge
- Excellent flexibility and memory
- Flame resistant
- Moisture resistant
- Temperature range -100°F to 500°F, remains flexible at extreme temperatures
- Excellent resistance to ozone, UV and aging
- Recommended for areas using FM200 or Halon Fire Suppression Systems
- BHMA Certified to ANSI/BHMA A156.22 performance tests for Heat, Cold, Air Infiltration and Smoke Infiltration

#6 x 3/4" Stainless Steel Sheet Metal Screws furnished
Screw holes slotted for adjustment

All products this page



A - anodized aluminum

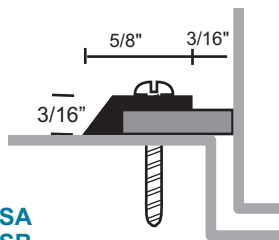
B - gold

DKB - dark bronze

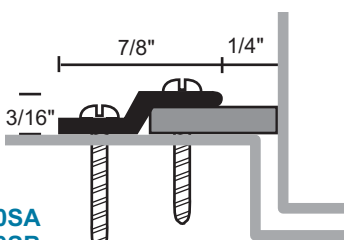
no suffix - mill aluminum
silicone sponge is gray



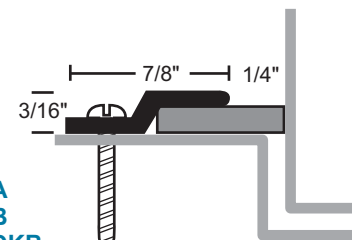
Closed Cell Sponge



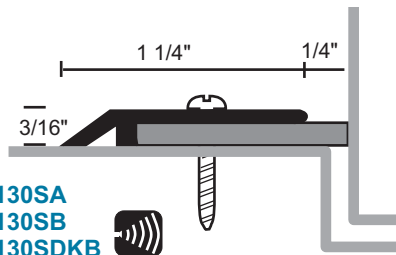
110SA
110SB
110SDKB



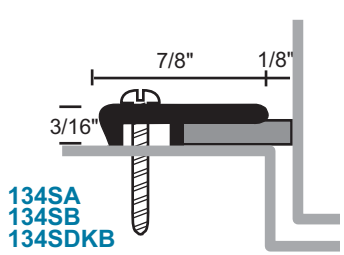
120SA
120SB
120SDKB



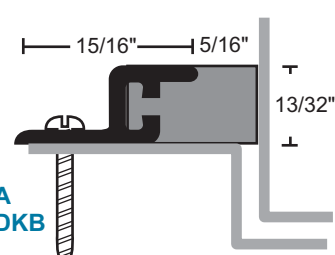
127SA
127SB
127SDKB



130SA
130SB
130SDKB



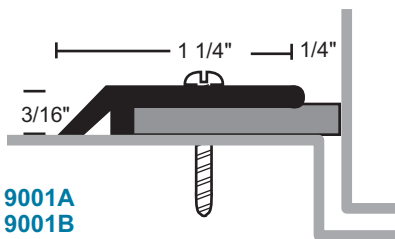
134SA
134SB
134SDKB



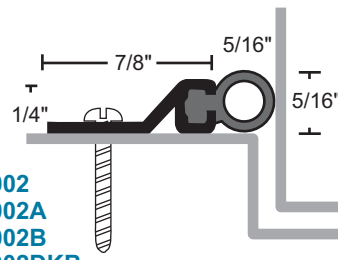
165SA
165SDKB

Silicone Plus

Specially formulated to withstand greater temperature extremes while providing maximum protection against air infiltration. Silicone Plus gasket material is tan.



9001A
9001B
9001DKB



9002
9002A
9002B
9002DKB

Silicone Seals

Properties:

- Synthetic rubber polymer: Siloxane
- Excellent flexibility and memory
- Flame resistant
- Moisture resistant
- Temperature range -100°F to 500°F, remains flexible at extreme temperatures
- Excellent resistance to ozone, UV and aging
- Recommended for areas using FM200 or Halon Fire Suppression Systems
- BHMA Certified to ANSI/BHMA A156.22 performance tests for Heat, Cold, Air Infiltration and Smoke Infiltration

#6 x 3/4" Stainless Steel Sheet Metal Screws furnished
Screw holes slotted for adjustment

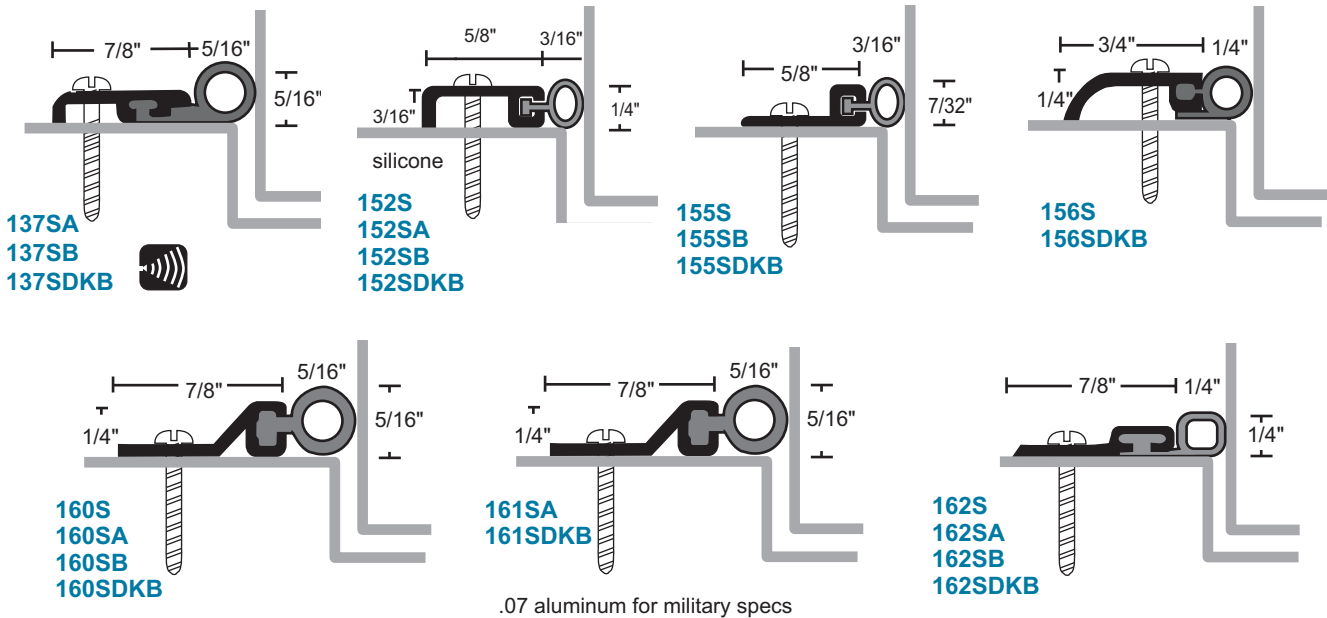
All silicone seals this section



- A** - anodized aluminum
- B** - gold
- DKB** - dark bronze
- no suffix** - mill aluminum
- dense silicone is black
- exception: 137 silicone is gray

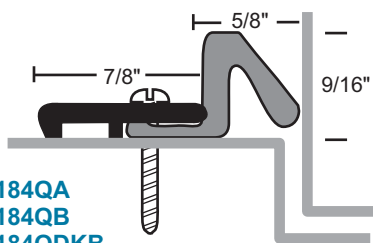


Dense Bulbs



Q-Lon® Foam Seals

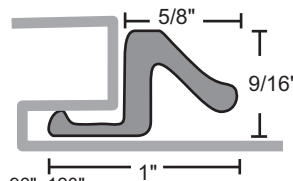
Brown polyethylene liner with foam core



184QA
184QB
184QDKB

Kerf Application

Fits 1/8" wide x 7/16" deep kerf



284Q
Stock lengths: 36", 48", 96", 120"

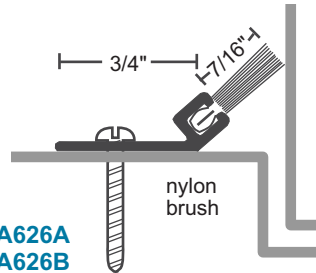


Nylon Brush Seals

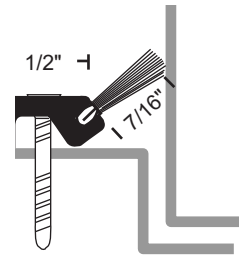
Properties:

- Synthetic polymer: Polyamide
- Excellent abrasion resistance, flexibility and memory
- Moisture resistant
- Retains insecticides well
- Temperature range -70°F to 425°F
- BHMA Certified to ANSI/BHMA A156.22 performance tests for Heat, Cold, Air Infiltration and Smoke Infiltration in most common profiles as indicated by BHMA Certified symbol.
- REACH and RoHS compliant
- Not effective against water penetration

#6 x 3/4" Stainless Steel Sheet Metal Screws furnished
Screw holes slotted for adjustment



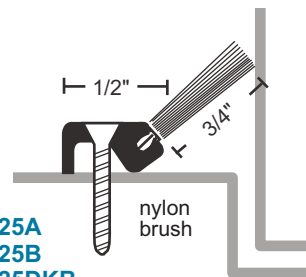
A626A
A626B
A626DKB



A625A
A625B
A625DKB



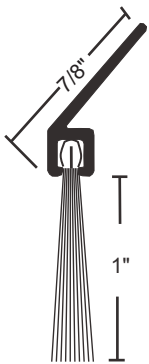
A - anodized aluminum with gray brush
B - gold with black brush
DKB - dark bronze with black brush
no suffix - mill aluminum with gray brush



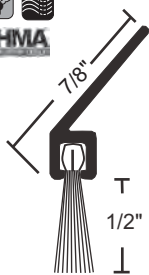
F625A
F625B
F625DKB



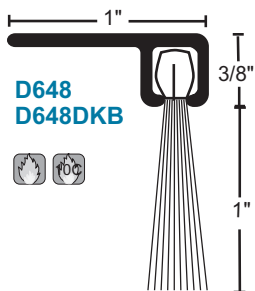
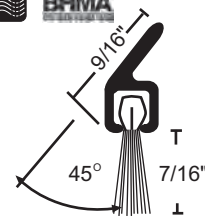
603A
603DKB



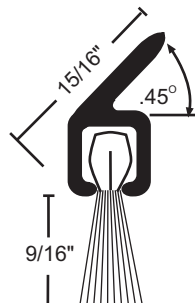
602A
602DKB



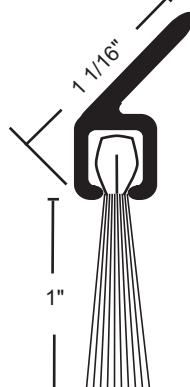
A617A
A617DKB



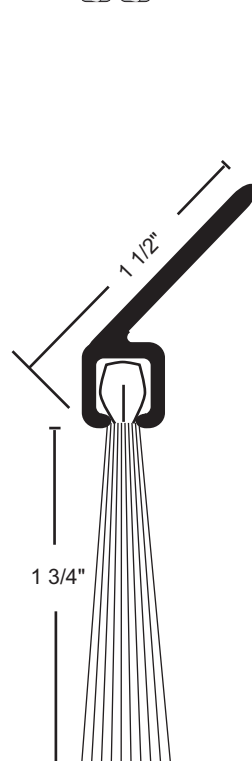
D648
D648DKB



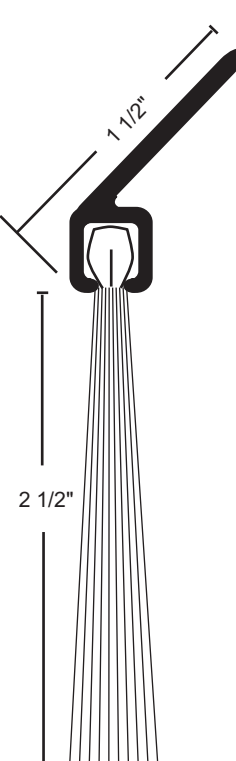
C619A
C619DKB



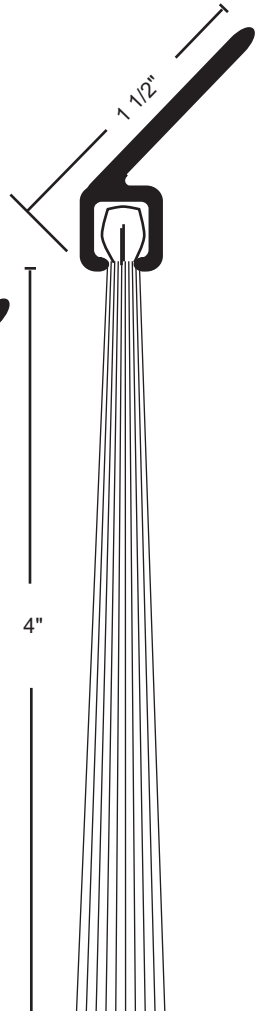
D620A
D620B
D620DKB



G622A
G622DKB



H623A
H623DKB



I-624A
I-624DKB

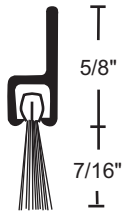


* up to 3 hours metal doors,
1 hour wood doors.

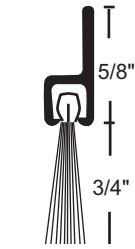
Nylon Brush Seals



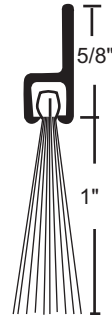
#6 x 3/4" Stainless Steel Sheet Metal Screws furnished. Screw holes slotted for adjustment.



A605A
A605B
A605DKB



OV634A
OV634B
OV634DKB



OV633A
OV633B
OV633DKB



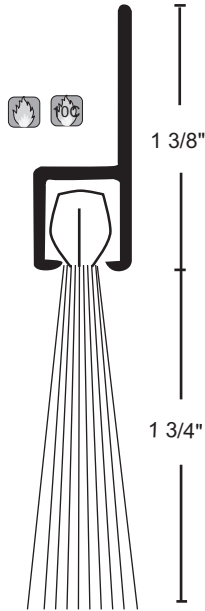
B606A
B606B
B606DKB



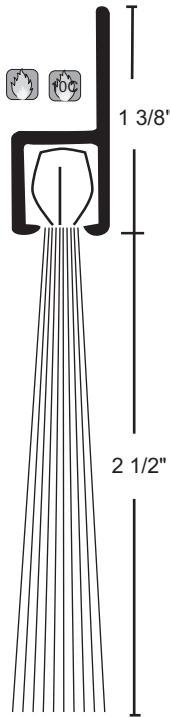
600
600A
600B
600DKB



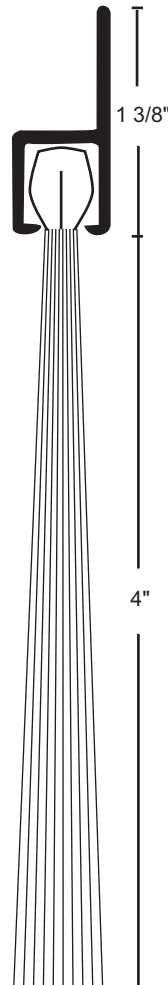
601
601A
601B
601DKB



G610A
G610B
G610DKB



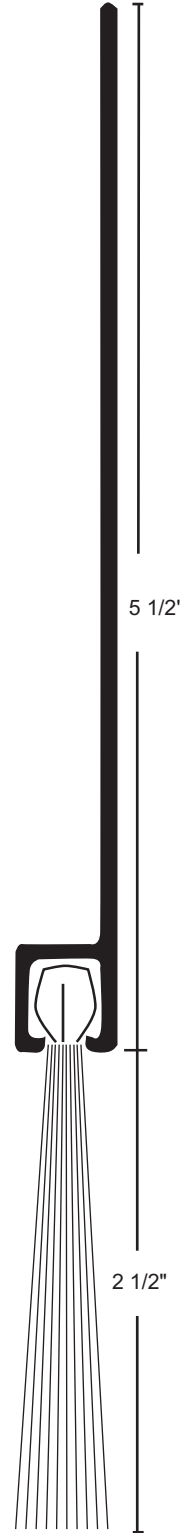
H612A
H612B
H612DKB



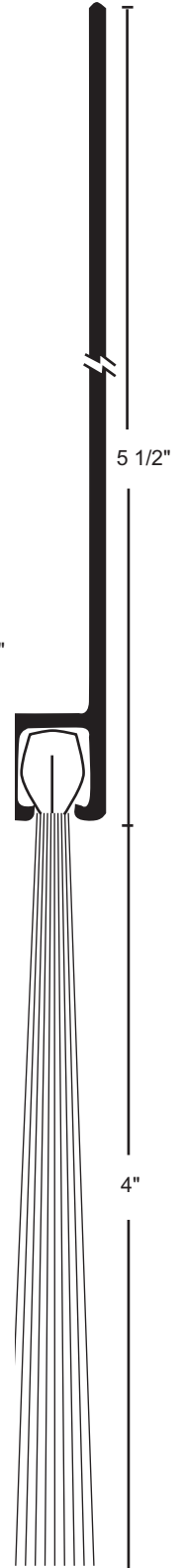
I-615A
I-615B
I-615DKB



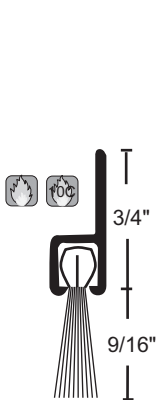
G611A
G611DKB



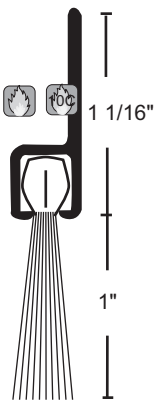
H614A
H614DKB



I-616A
I-616DKB

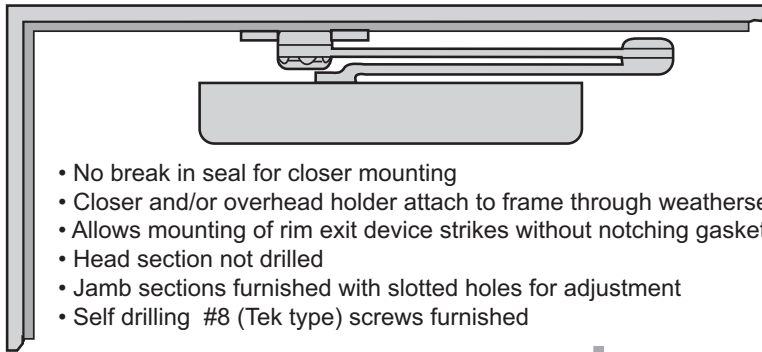


C607A
C607B
C607DKB



D608A
D608B
D608DKB

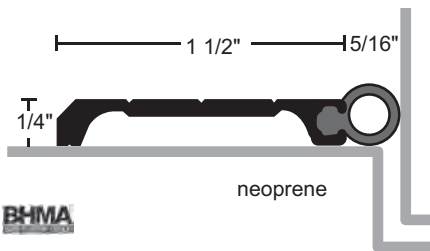
Perimeter Seals Compatible with Parallel Arm Closers



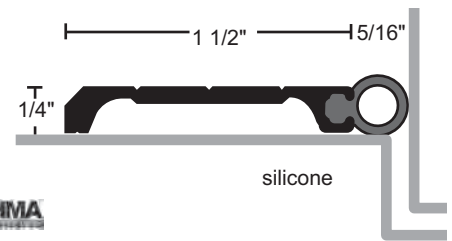
- No break in seal for closer mounting
- Closer and/or overhead holder attach to frame through weatherseal section. Install seal first
- Allows mounting of rim exit device strikes without notching gasketing
- Head section not drilled
- Jamb sections furnished with slotted holes for adjustment
- Self drilling #8 (Tek type) screws furnished

A - anodized aluminum
B - gold
DKB - dark bronze
no suffix - mill aluminum
vinyl & pile are gray
neoprene, silicone, &
polyurethane are black, sil-
icone+ is tan

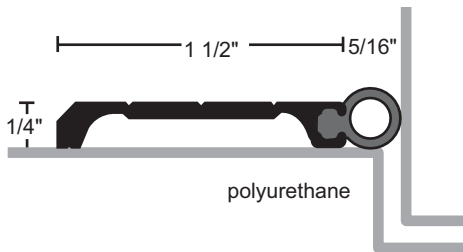
700EN
700ENDKB



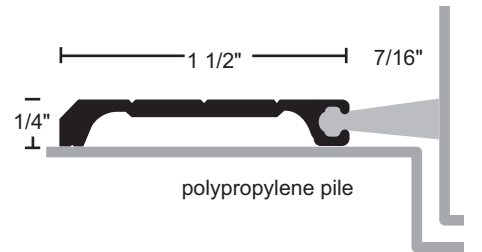
700ES
700ESDKB



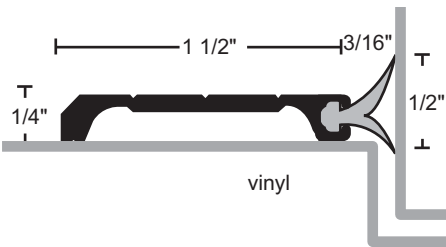
700EU
700EUDKB



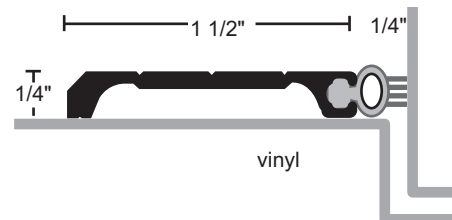
701EP
701EPDKB



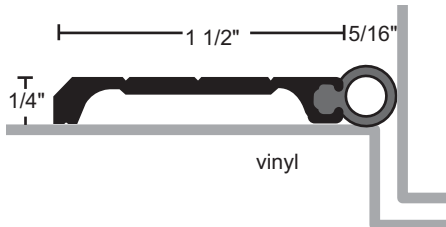
703EV
703EVDKB



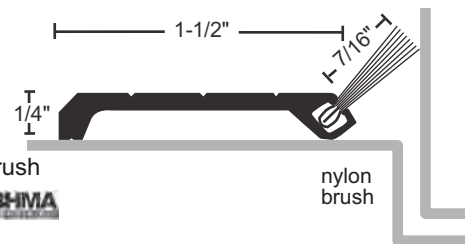
704EV
704EVDKB



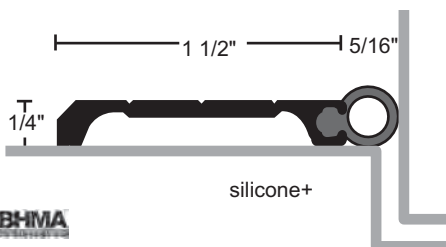
705EV
705EVDKB



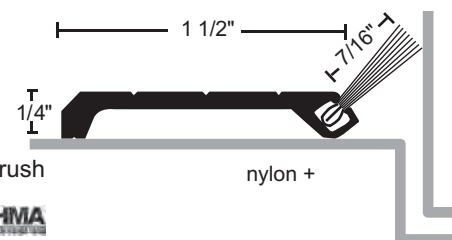
706E - gray brush
706EDKB - black brush



9700E
9700EDKB

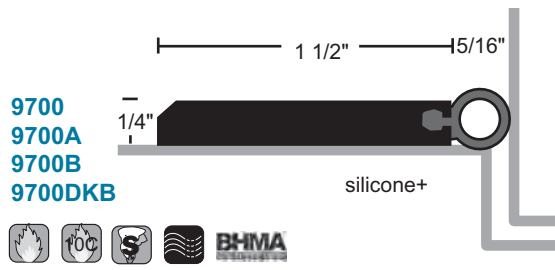
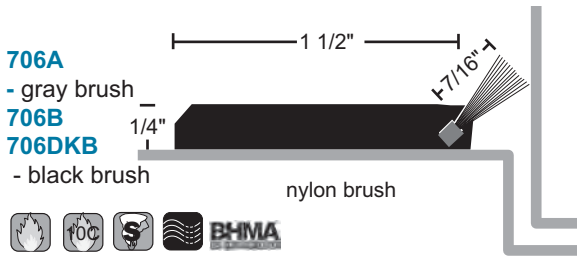
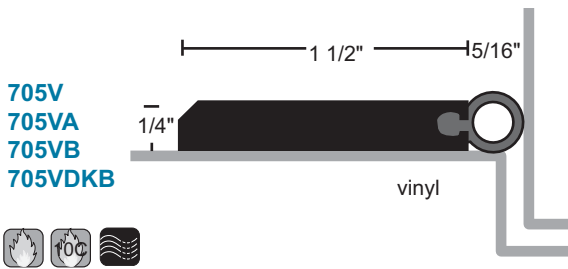
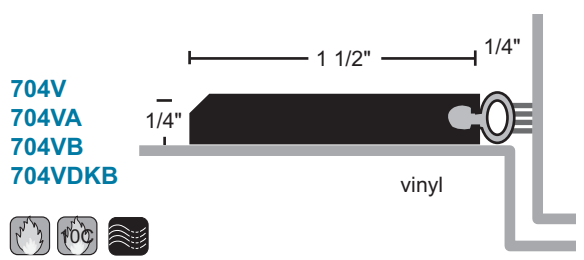
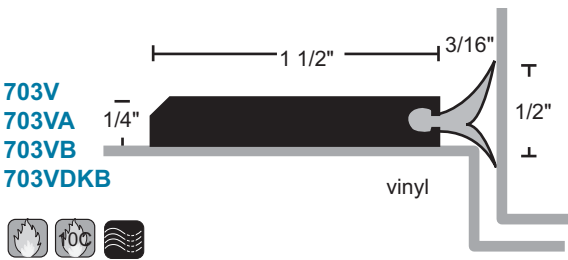
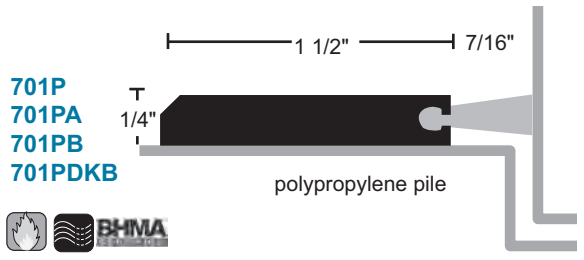
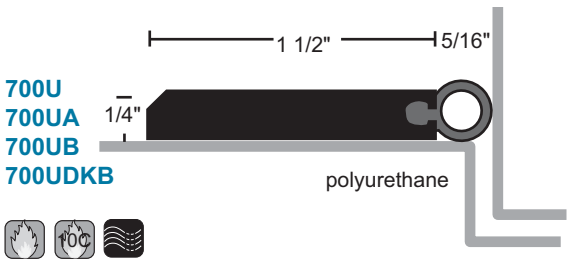
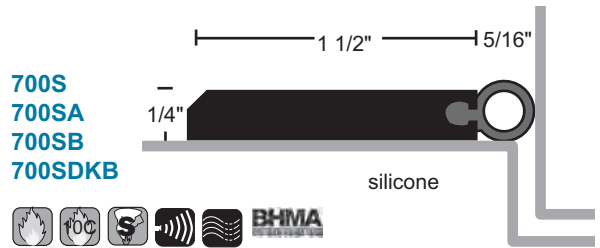
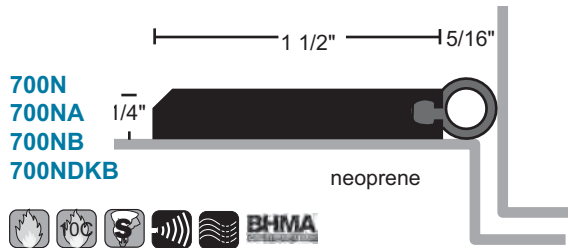


9706E - gray brush
9706EDKB - black brush



Perimeter Seals Compatible with Parallel Arm Closers

Profiles on this page may be cut to fit narrow frame stops at additional charge. Specify "cut to width" on order.



Concealed Fastener Seals

Snap-on cover conceals screw heads for clean appearance

#6 x 3/4" Stainless Steel Sheet Metal Screws furnished
Screw holes slotted for adjustment

A - anodized aluminum

B - gold

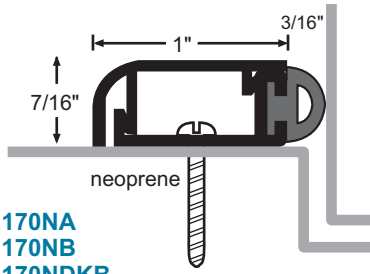
DKB - dark bronze

vinyl & pile are gray

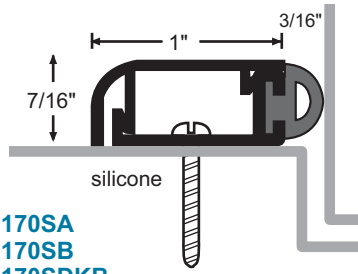
*vinyl is black

neoprene, NGP-TPV & silicone are black

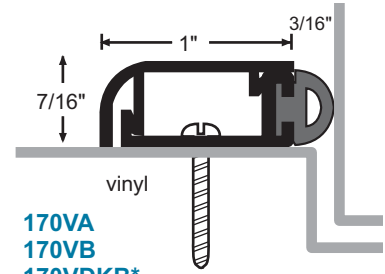
nylon brush is gray with anodized aluminum metal; black with gold and DKB metal



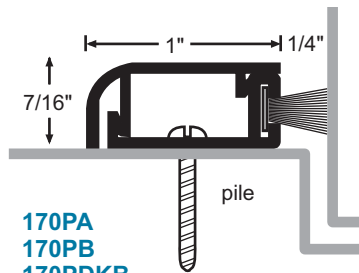
170NA
170NB
170NDKB



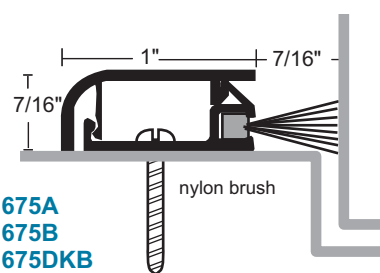
170SA
170SB
170SDKB



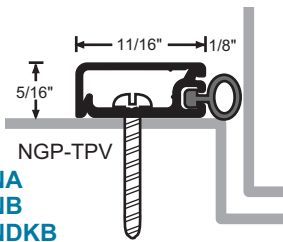
170VA
170VB
170VDKB*



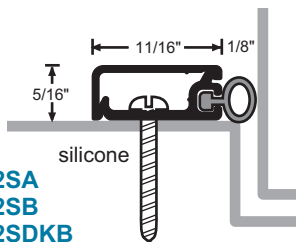
170PA
170PB
170PDKB



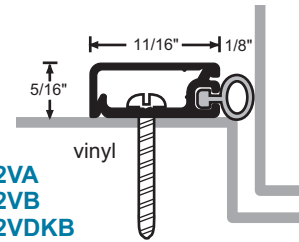
675A
675B
675DKB



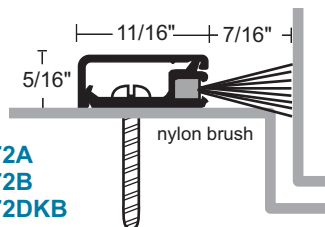
172NA
172NB
172NDKB



172SA
172SB
172SDKB



172VA
172VB
172VDKB



672A
672B
672DKB



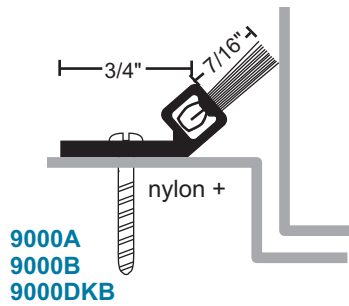
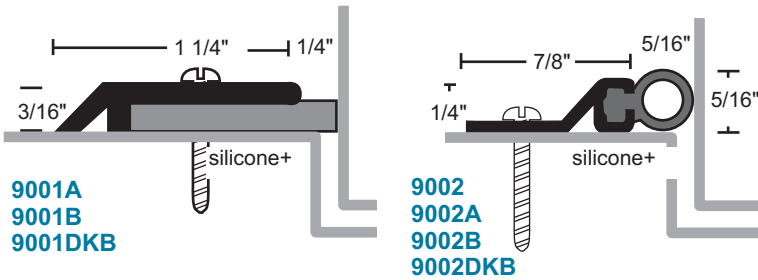
Allseal® Gasketing

Our exclusive line of premium grade seals specially formulated to withstand greater temperature extremes while providing maximum protection against air infiltration.

All products this page



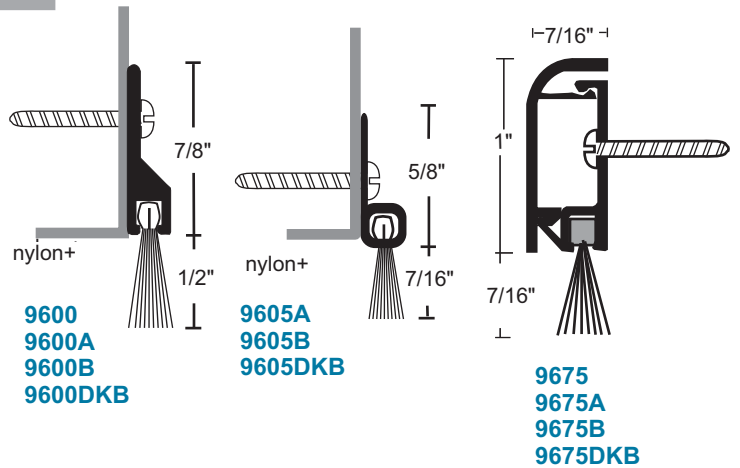
Perimeter Seals



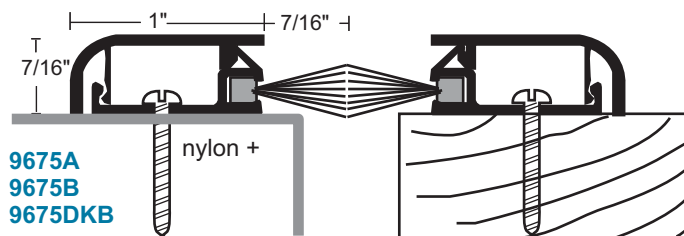
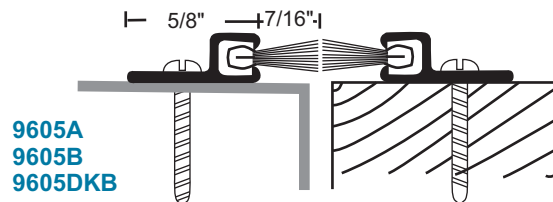
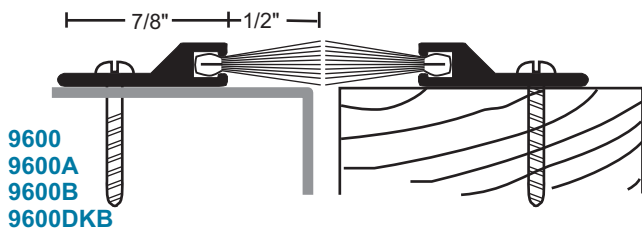
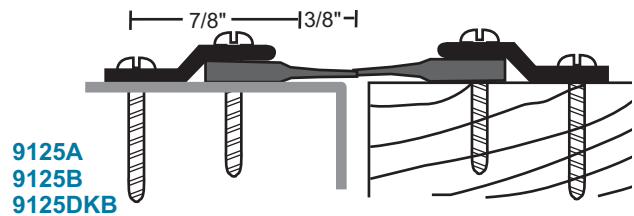
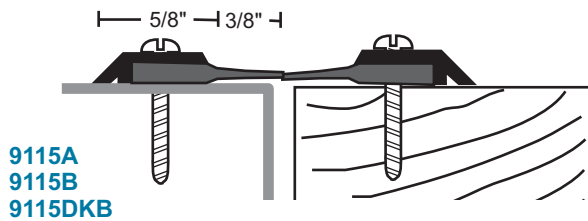
Metal	nylon+	silicone +
A - anodized aluminum	gray	tan
B - gold	black	tan
DKB - dark bronze	black	tan
no suffix - mill aluminum	gray	tan

#6 x 3/4" Stainless Steel Sheet Metal Screws furnished
Screw holes slotted for adjustment

Perimeter Seals or Sweeps



Astragal Seals



Stainless Steel

Stainless steel type 304 brushed #4 finish (US32D, 630)
neoprene & polyurethane are black, epdm & silicone are gray, silicone+ is tan

#6 X 3/4 stainless steel SMS furnished
Screw holes slotted for adjustment

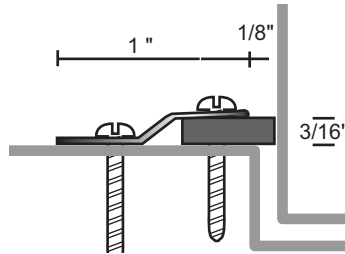
All perimeter seals this section



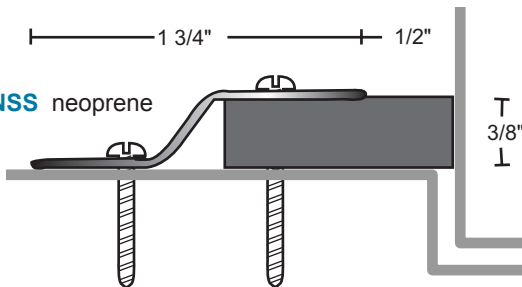
(Exception: 129USS not Smoke rated)

Perimeter Seals

120NSS neoprene
120SSS silicone

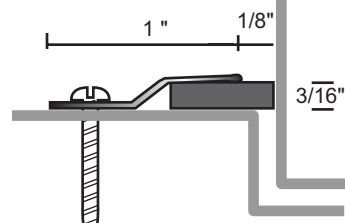


122NSS neoprene

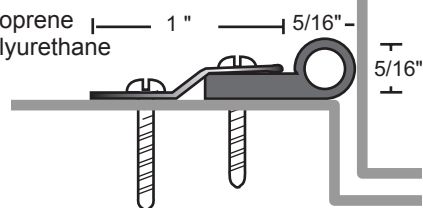


#6 X 3/4" and #6 x 1" stainless steel SMS furnished

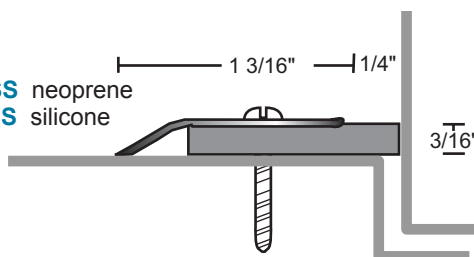
127NSS neoprene
127SSS silicone



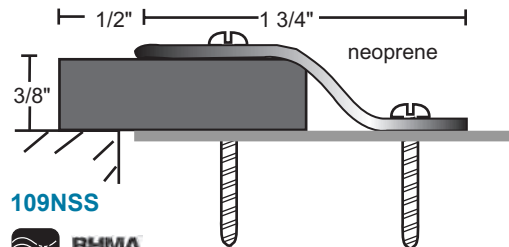
129NSS neoprene
129USS polyurethane



130NSS neoprene
130SSS silicone



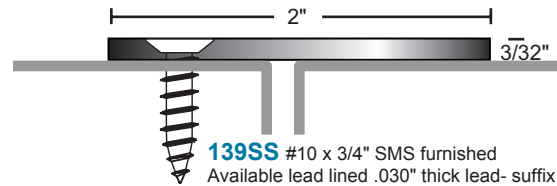
Astragal Seals



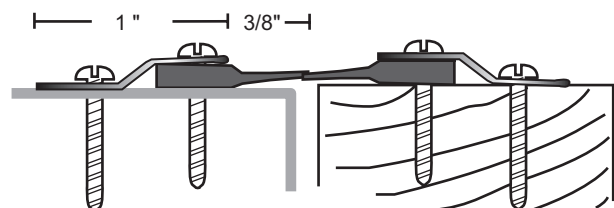
109NSS



#6 X 3/4" and #6 x 1" stainless steel SMS furnished



139SS #10 x 3/4" SMS furnished
Available lead lined .030" thick lead- suffix "LD"



125NSS epdm
9125SS silicone+



Stainless Steel

All automatic door bottoms this section

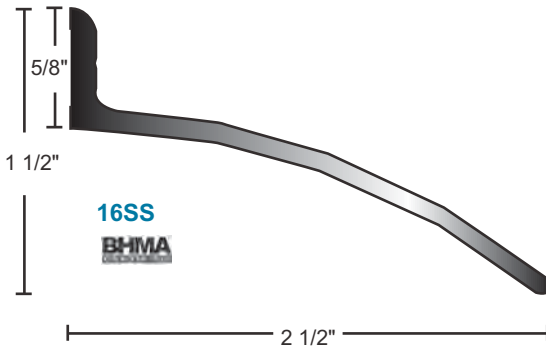
Stainless steel type 304 brushed #4 finish (US32D, 630)
 neoprene & polyurethane are black, silicone and nylon brush are gray



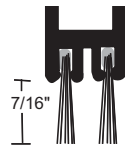
#6 X 3/4" stainless steel SMS furnished
 Screw holes slotted for adjustment

Automatic Door Bottom

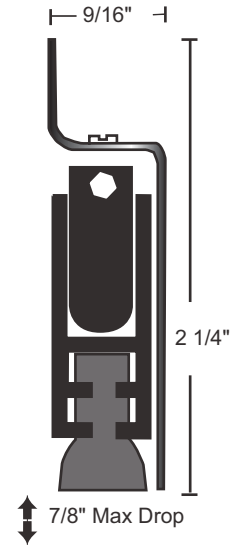
Rain Drip Guard



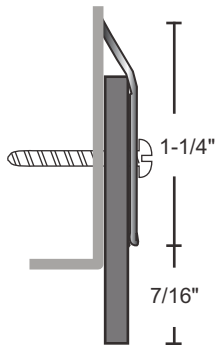
- neoprene (1, 2)
221NSS
- silicone (1, 2)
221SSS
- nylon brush (2)
221WHSS



Drop Bar with Nylon Brush - suffix "WH"



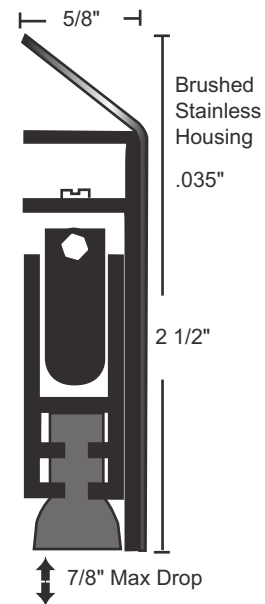
Door Sweep



- 200NSS** neoprene
- 200USS** polyurethane
- 200SSS** silicone



- neoprene (1, 2)
229NSS
- silicone (1, 2)
229SSS
- nylon brush (2)
229WHSS



1. Lead insert available for radiation shield - specify "lead-lined"
 2. Door Bottom is handed. Right hand supplied unless specified. Field reversible.

Architectural Bronze

Architectural bronze satin finish (728), similar to US4
Optional finishes: Polished (721), suffix "POL"
Dark Oxidized oil rubbed (722) similar to US10B, suffix DKB

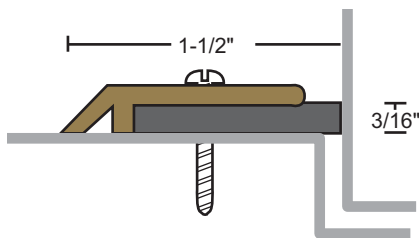
neoprene is black
silicone is gray
#6 x 3/4" brass plated SMS furnished
screw holes slotted for adjustment

Perimeter Seals

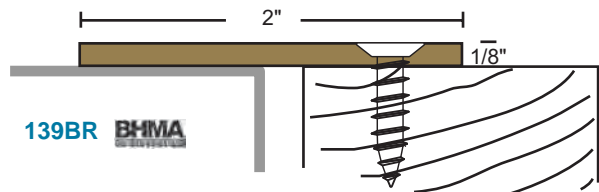
130NBR neoprene
130SBR silicone



BHMA



Astragal Seals

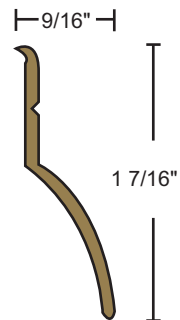


139BR **BHMA**

#10 x 3/4" brass plated
SMS furnished
Available lead lined .030"
thick lead - suffix "LD"

Rain Drip Guard

17BR **BHMA**



Architectural Bronze

Architectural bronze satin finish (728), similar to US4
 Optional finishes: Polished (721), suffix "POL"
 Dark Oxidized oil rubbed (722) similar to US10B, suffix DKB

neoprene, polyurethane & nylon brush are black
 silicone is gray

#6 x 3/4" brass plated SMS furnished
 screw holes slotted for adjustment

Door Sweep



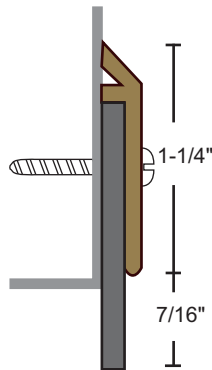
200NBR
neoprene



200SBR
silicone



200UBR
polyurethane



Automatic Door Bottoms

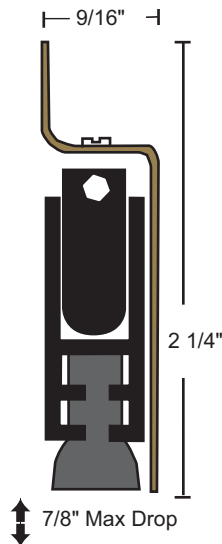
All automatic door bottoms this section



neoprene (1, 2)
221NBR

silicone (1, 2)
221SBR

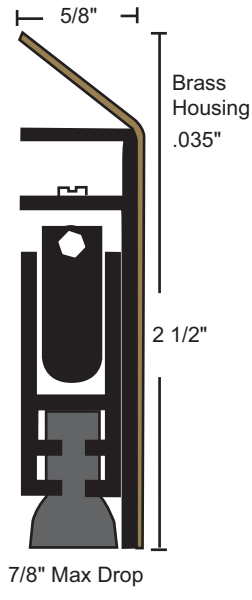
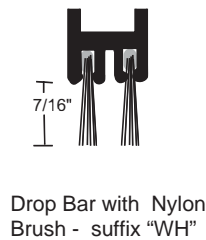
nylon brush (2)
221WHBR



neoprene (1, 2)
229NBR

silicone (1, 2)
229SBR

nylon brush (2)
229WHBR



1. Lead insert available for radiation shield - specify "lead-lined"
2. Door Bottom is handed. Right hand supplied unless specified. Field reversible.

Adjustable Perimeter Seals

- Adjustment screws on 10" centers allow adjustment without re-positioning mounting location.

#6 x 3/4" or #6 x 1-1/2" Stainless Steel SMS furnished

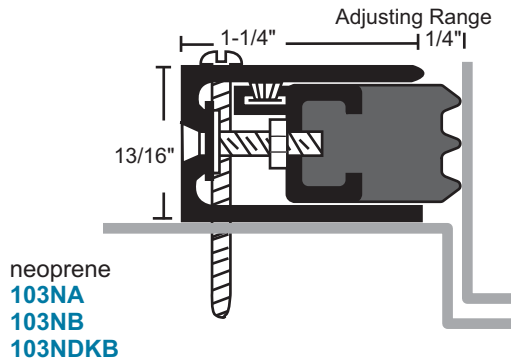
A - anodized aluminum

B - gold

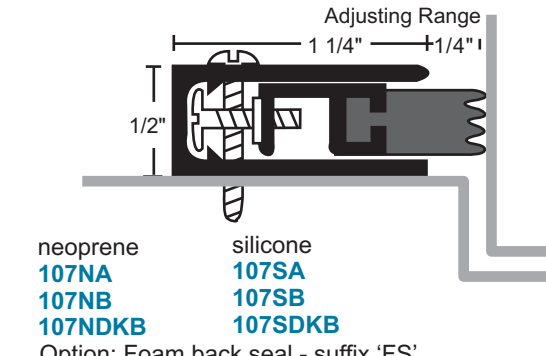
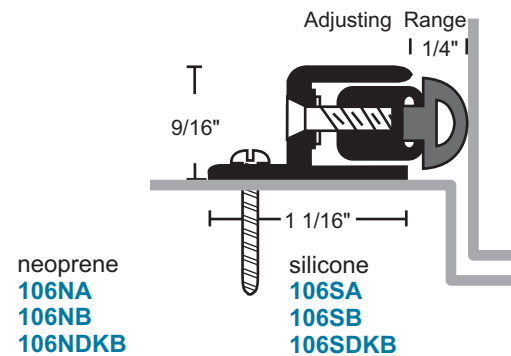
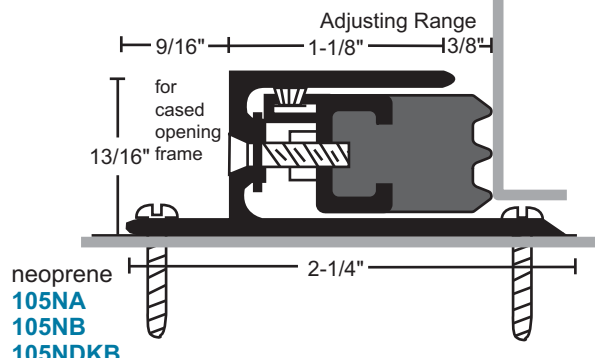
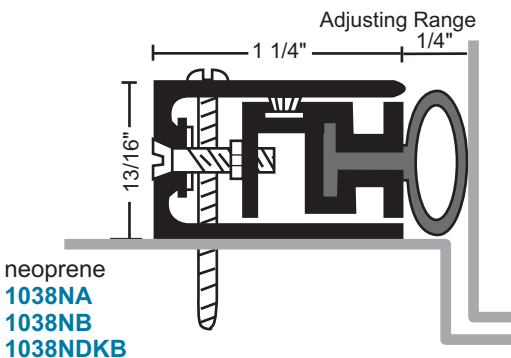
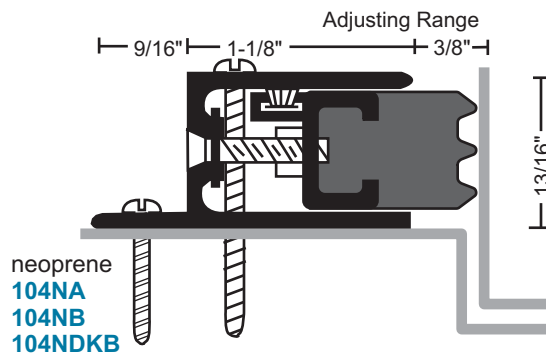
DKB - dark bronze

Neoprene & 106 silicone are black

107 silicone is gray



Option: Foam back seal - suffix 'FS'



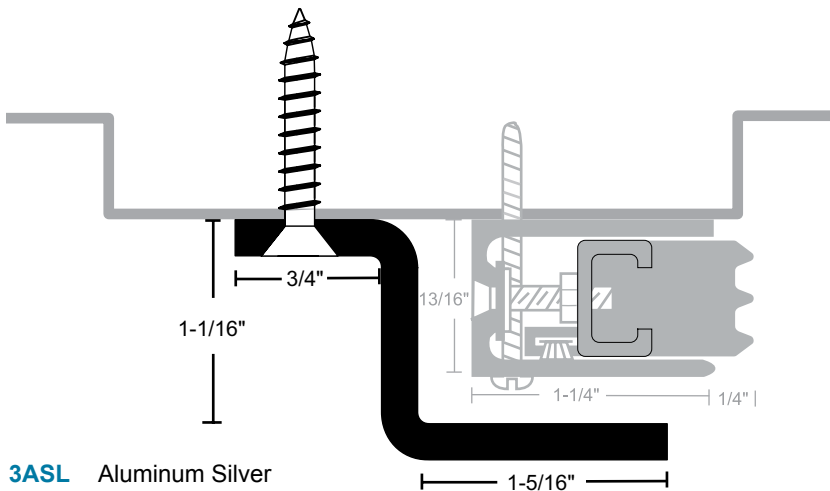
Option: Foam back seal - suffix 'FS'



Steel Mounting Brackets

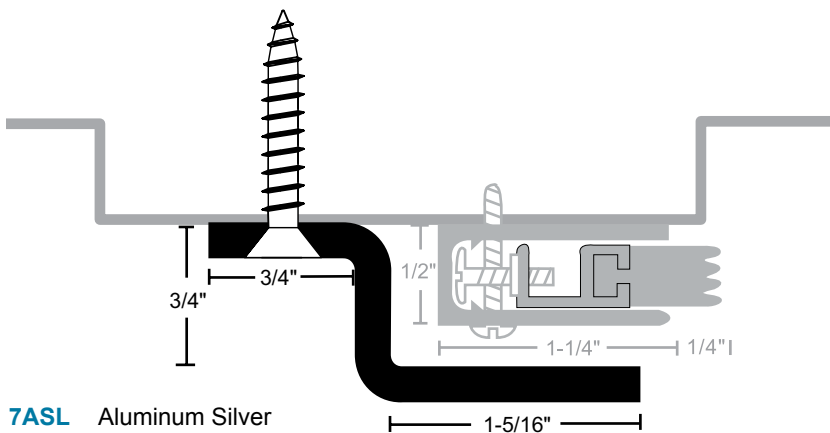
- Allows installation of door closer shoe or rim exit device strike without interruption or notching of perimeter seals.
- Furnished with #12 x 1-1/4" SMS.
- 3/16" thick steel.
- 6" long.

All products this page



3ASL Aluminum Silver
3DKB Dark Bronze
3SP Prime Coat

Fits over 103N, 104N,
 105N, 303N, 304N,
 305N, 1038N, 3038N



7ASL Aluminum Silver
7DKB Dark Bronze
7SP Prime Coat

Fits over 106N, 107N,
 141P, 141S

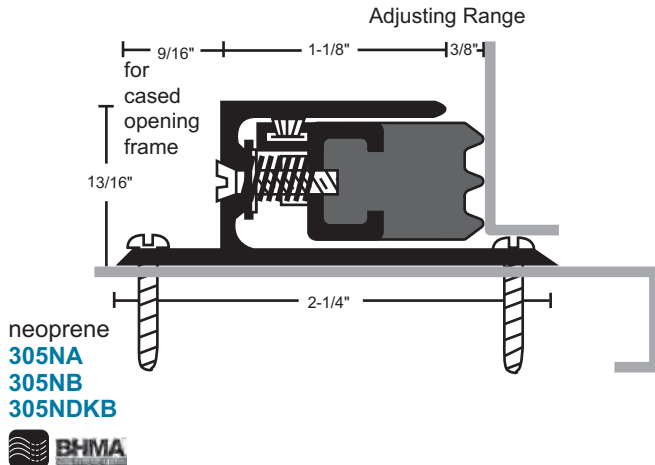
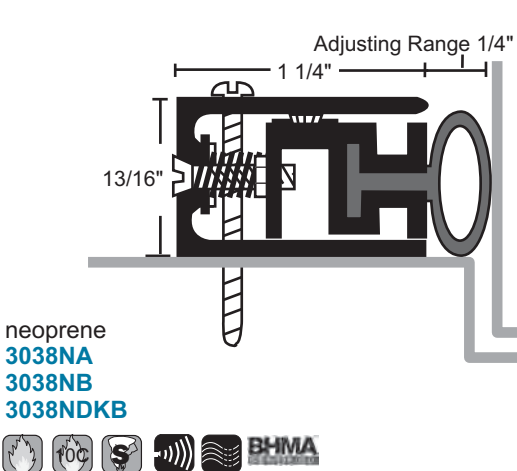
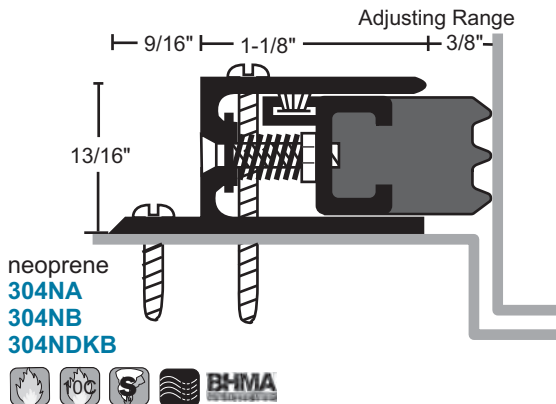
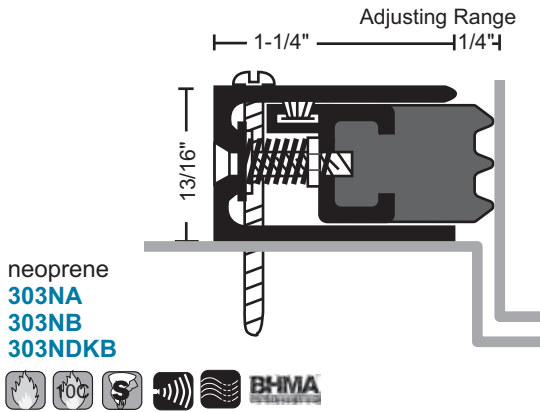
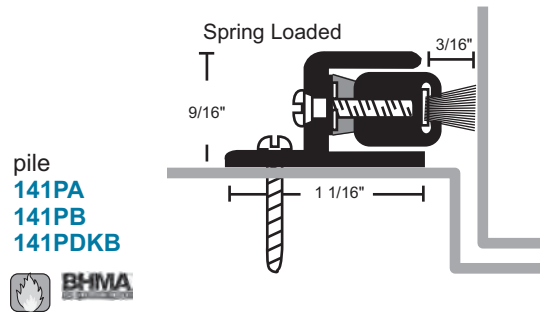
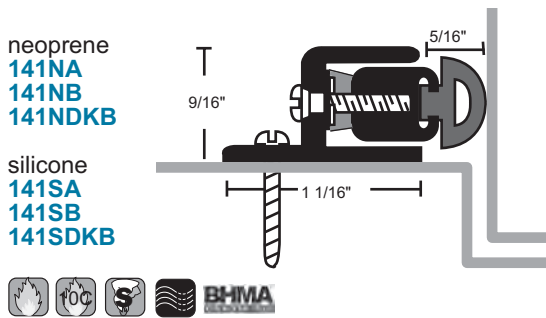
Page
Intentionally
Blank

Spring Adjustable Perimeter Seals

- Adjustment screws on 10" centers allow adjustment without re-positioning mounting location.
- Spring-loaded to maintain pressure for the most effective seal.

#6 x 3/4" or #6 x 1-1/2" Stainless Sheet Metal Screws furnished

A - anodized aluminum
B - gold
DKB - dark bronze
 neoprene & silicone are black
 pile is gray



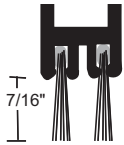
Automatic Door Bottoms - Surface

All products this page

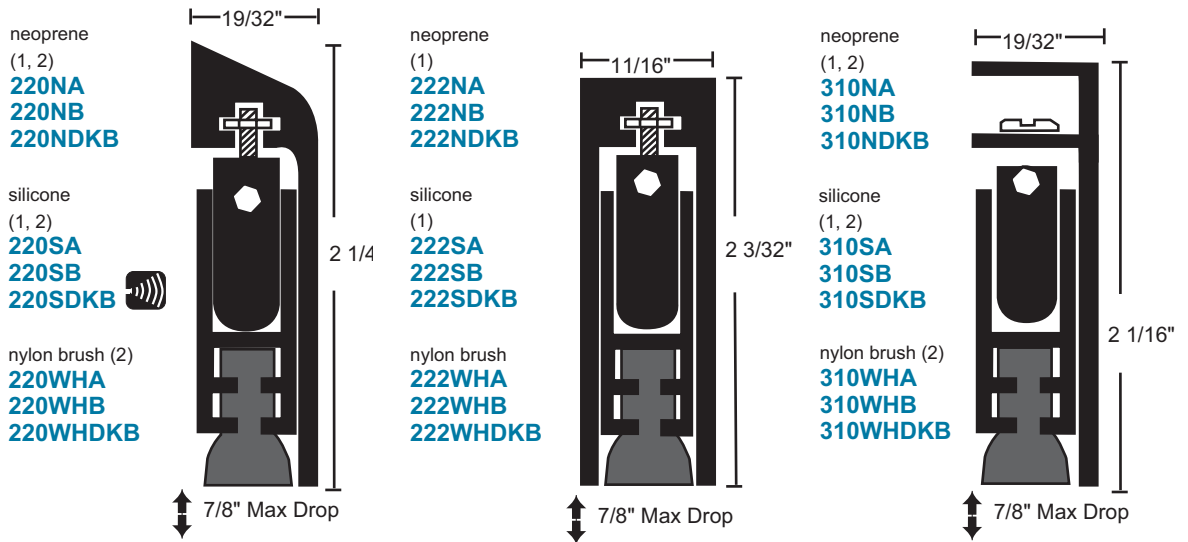


- Mounts on push side of door.
- Use with a threshold for maximum sealing capability.
- Nylon brush recommended for carpet applications where no threshold is provided.
- Specify exact net length required to avoid field sizing.
- 36" and longer may be cut up to 4" in the field, under 36" should not be cut in the field, order net length.
- Minimum length 11", maximum length 60" (except 780).
- End caps furnished standard. Models 220, 221, 229, 310 require door handing, RH supplied standard.

silicone is gray
neoprene is black
brush is gray with mill finish
and stainless steel; black with
gold, DKB and brass

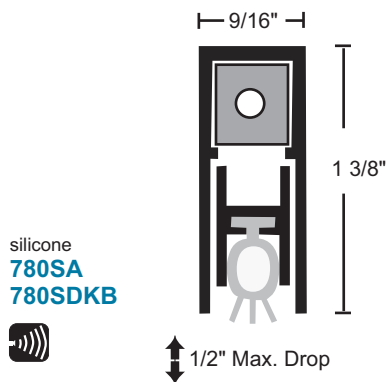


Drop Bar with Nylon Brush - suffix "WH"



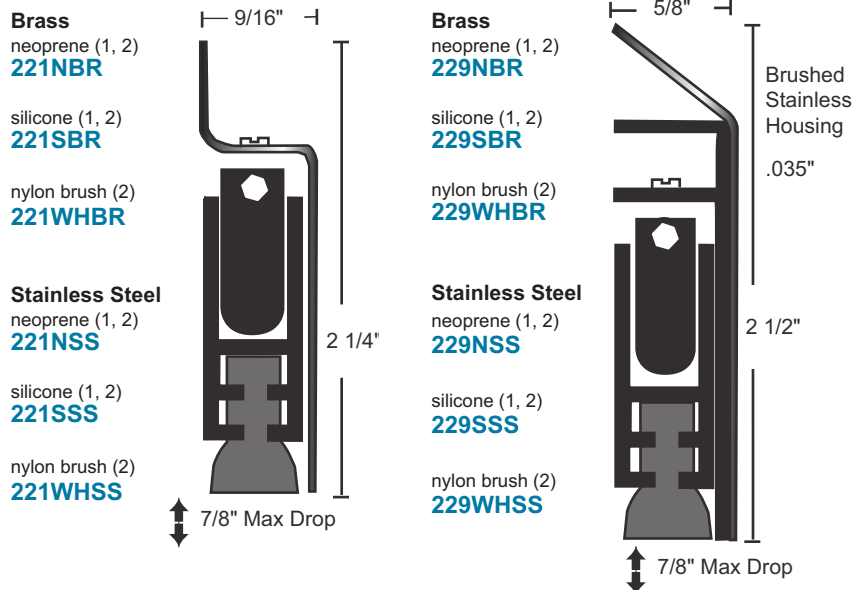
Slimline

Endurance Tested to 5 Million Cycles



Available 23" to 96" in length
End caps furnished standard.
Will work half mortised on swing or sliding doors!

Brass and Stainless Steel

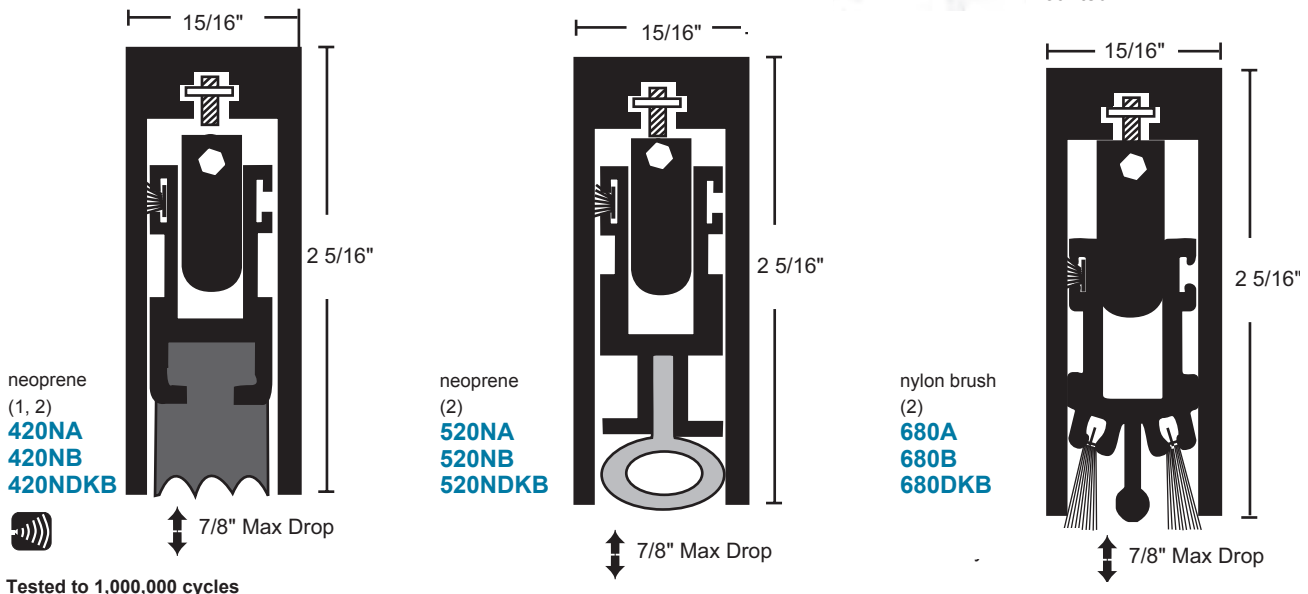
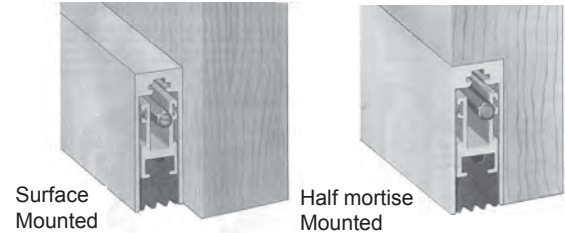


1. Lead insert available for radiation shield - specify "lead-lined"
2. Door Bottom is handed. Right hand supplied unless specified. Field reversible.

Automatic Door Bottoms - Heavy Duty Surface

- Mounts on push side of door
- Use with a threshold for maximum sealing capability
- Nylon brush recommended for carpet applications where no threshold is provided
- Specify exact net length required to avoid field sizing
- 36" and longer may be cut up to 4" in the field, under 36" should not be cut in the field, order net length
- Minimum length 11", maximum length 60"
- End caps furnished standard

All products this page



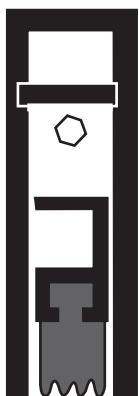
Tested to 1,000,000 cycles

Sliding or Pocket Doors Surface or Half Mortise - Heavy Duty

E-Z Touch

SURFACE

5/8"



3/4" Max Drop

neoprene
223NA
223NB
223NDKB

silicone
223SA
223SB
223SDKB

The EZ-Touch door bottom requires only 3 to 5 pounds of pressure to activate.

Perfect for accessibility applications and still provides an effective seal.

Available 23 1/4" net to 48" in length.

End caps furnished standard

15/16"



7/8" Max Drop

neoprene (1)
421NA
421NB
421NDKB

Designed for use on sliding or pocket doors. A series of actuating bars keep the seal parallel to the sill or threshold until the door is in the closed position.

Available 11" to 144" in length.

End caps not available

1. Lead insert available for radiation shield - specify "lead-lined".

2. For half mortise applications specify HM in item number prior to finish (ie: 420NHMDKB).

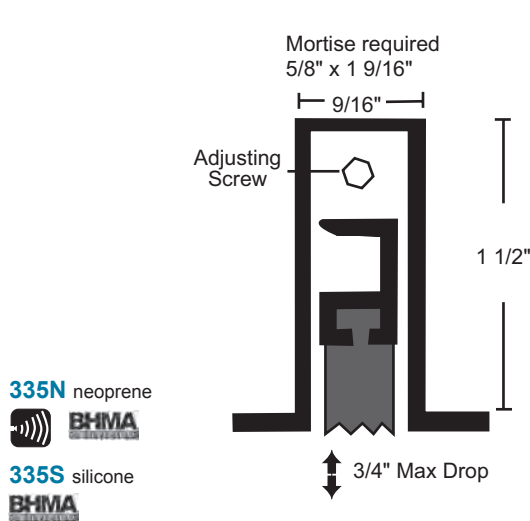
Automatic Door Bottoms - Mortise

- Use with a threshold for maximum sealing capability
- Nylon brush recommended for carpet applications where no threshold is provided
- Specify exact net length required to avoid field sizing
- 36" and longer may be cut up to 4" in the field, under 36" should not be cut in the field, order net length
- End caps furnished standard

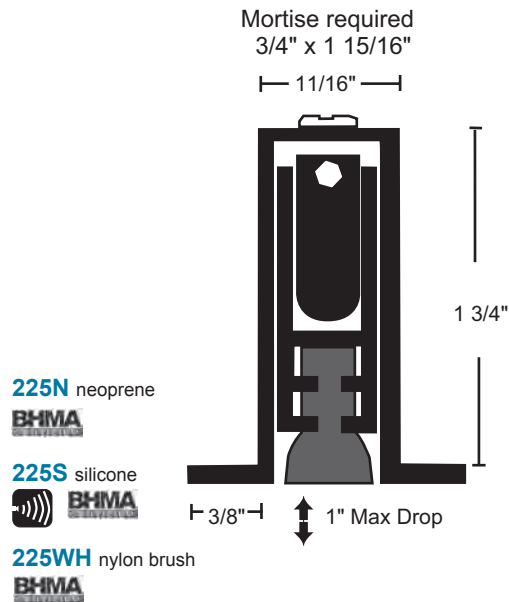
All products this page



neoprene & NGP-TPV are black
silicone, nylon brush & vinyl are gray

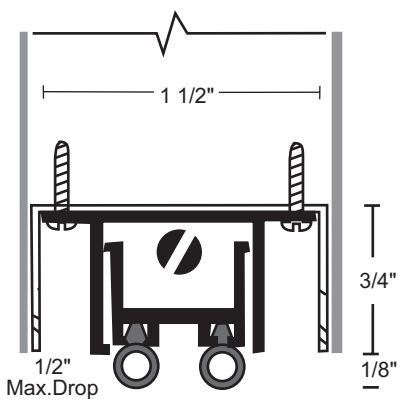


Available 23-1/4" net to 48" in length
Fits wood fire door mortise restrictions



Available 11" to 60" in length
Available with lead insert for radiation shield - specify "lead-lined"

Hollow Metal Doors



- 320N** NGP-TPV **BHMA**
- 320S** silicone **BHMA**
- 320V** vinyl



Fits in 1-5/8" x 3/4" channel. A "furring strip" may be used to lower automatic door bottom when a deeper channel is used.

Furnished 1/2" shorter than ordered to fit within net door size. (i.e. 36" is furnished 35-1/2") Length may be field cut up to 4".

Fire ratings apply to metal doors only.

#4 x 5/8" SMS furnished. End caps not available.

Available 24" to 48" in length

Automatic Door Bottoms - Heavy Duty Mortise

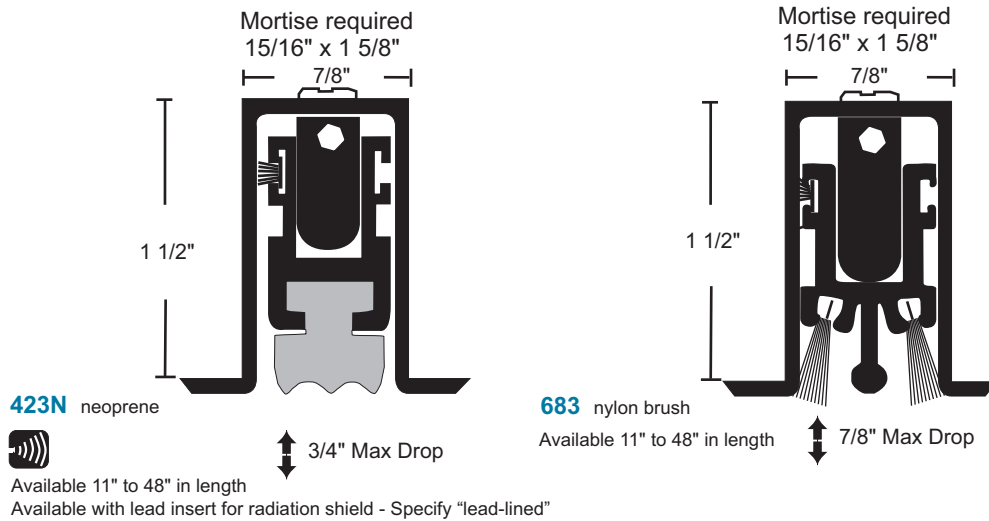
- Use with a threshold for maximum sealing capability.
- Nylon brush recommended for carpet applications where no threshold is provided.
- Specify exact net length required to avoid field sizing.
- 36" and longer may be cut up to 4" in the field, under 36" should not be cut in the field, order net length.
- Anodized aluminum end caps furnished standard. DKB end caps available - please specify.

All products this section

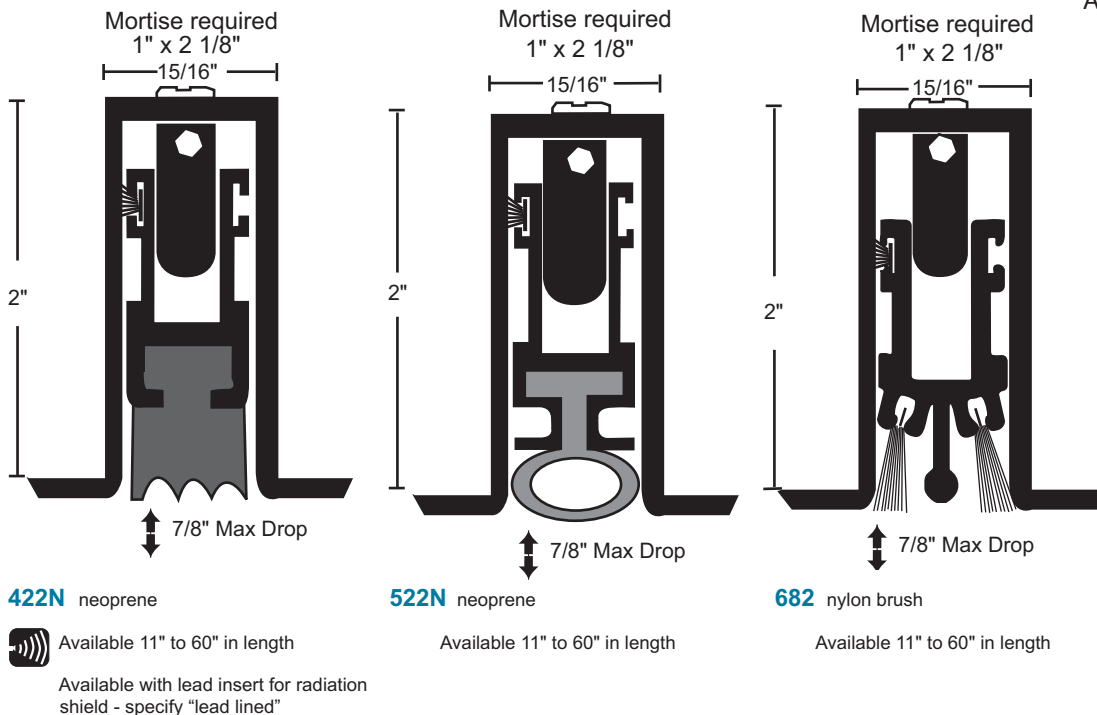


neoprene is black
nylon brush is gray
#4 x 5/8" SMS furnished

Fits Wood Fire Door Mortise Restrictions



Mortise Mounted



All products this section



*up to 3 hrs. metal doors, 45 minute wood doors (does not fit mortise restrictions of some wood door manufacturers)

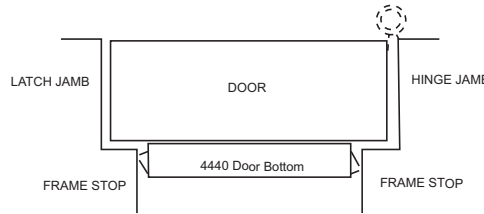
Dual Actuated Automatic Door Bottoms

All products this page



WILL NOT FUNCTION ON PAIRS OF DOORS

- Actuated by frame stop on both ends
- Low compression & operating force
- Concealed fasteners
- For pairs use matching single actuated door bottoms shown below



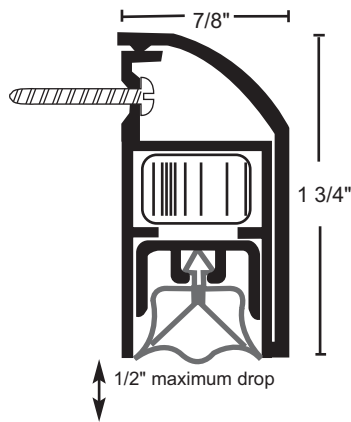
silicone is gray
gray brush with mill finish and anodized aluminum
black brush with gold and DKB

A - anodized aluminum
B - gold
DKB - dark bronze
no suffix - mill aluminum

Surface

silicone
4440SA
4440SB
4440SDKB

nylon brush
4440WHA
4440WHB
4440WHDKB

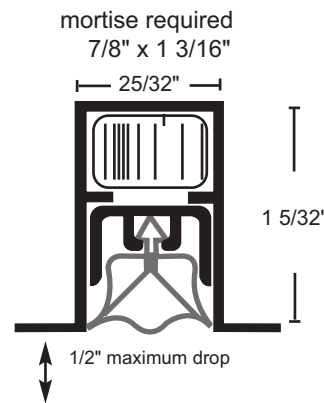


Furnished 1-3/8" shorter than ordered to fit between stops on frame. (i.e. 36" is furnished 34-5/8")
#6 x 3/4" TEK furnished

Mortise

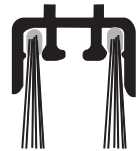
silicone
4447S

nylon brush
4447WH



Furnished 1/4" shorter than ordered to fit net door width. (i.e. 36" is furnished 35-3/4" net) #4 x 5/8" SMS furnished

Available 24" to 96" in length. May be field cut up to 3".



Drop Bar with Nylon Brush - suffix "WH"

Single Actuated Automatic Door Bottoms

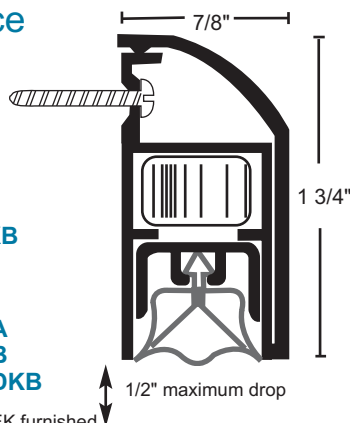
- Matches design of dual actuated door bottoms. For use on pairs of doors or field size for single doors
- Low compression & operating force
- Concealed fasteners

Surface

silicone
4441SA
4441SB
4441SDKB

nylon brush
4441WHA
4441WHB
4441WHDKB

#6 x 3/4" TEK furnished

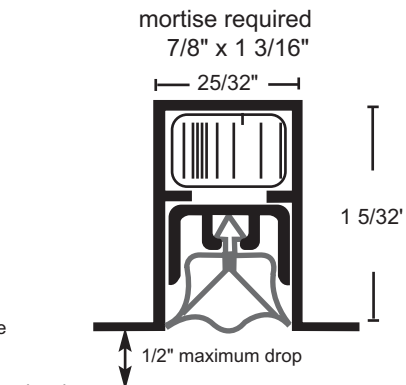


HANDED - NOT FIELD REVERSIBLE

Mortise

4448S silicone

4448WH nylon brush




Furnished 1/4" shorter than ordered to fit net door size. (i.e. 36" is furnished 35 3/4" net) #4 x 5/8" SMS furnished

Available 24" to 96" in length. May be field cut up to 3".

Thermal Break Door Shoes

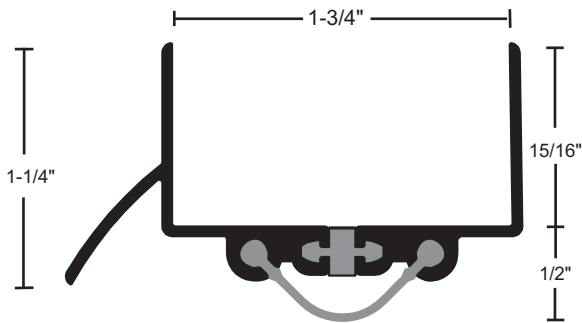
Thermal break door shoes feature a rigid PVC spline creating a separation to prevent the transfer of outside temperature and frost through the door shoe.

#6 x 3/4" stainless steel sheet metal screws furnished.
Screw holes slotted for adjustment.

All door shoes this page 

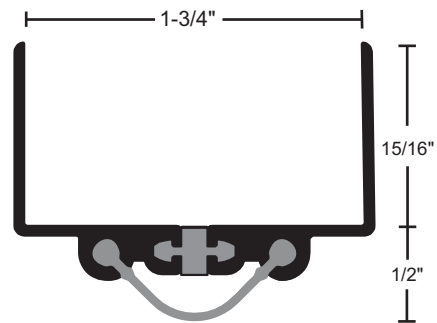
MATERIALS & FINISHES
A - anodized aluminum
DKB - dark bronze

819 Series



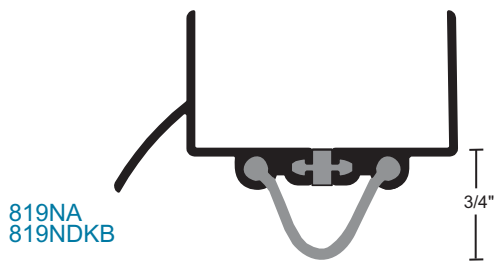
819VA
819VDKB

816 Series



816VA
816VDKB

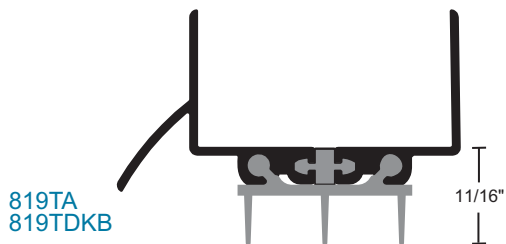
Gasketing options:



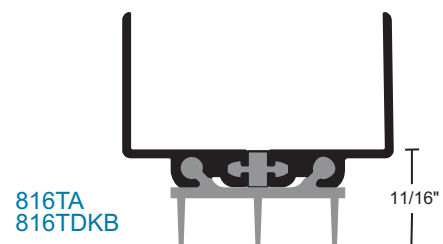
819NA
819NDKB



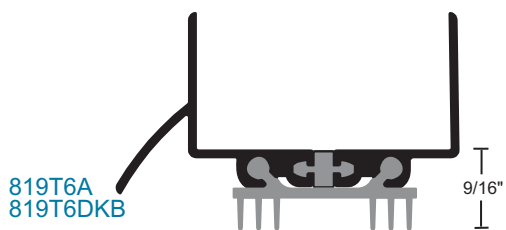
816NA
816NDKB



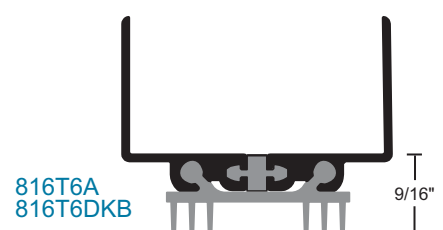
819TA
819TDKB



816TA
816TDKB



819T6A
819T6DKB



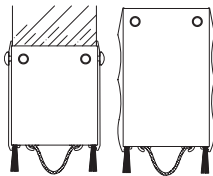
816T6A
816T6DKB

Page
Intentionally
Blank

Extended Door Shoes

#6 x 3/4" Stainless Steel SMS furnished.

End caps available - sold separately



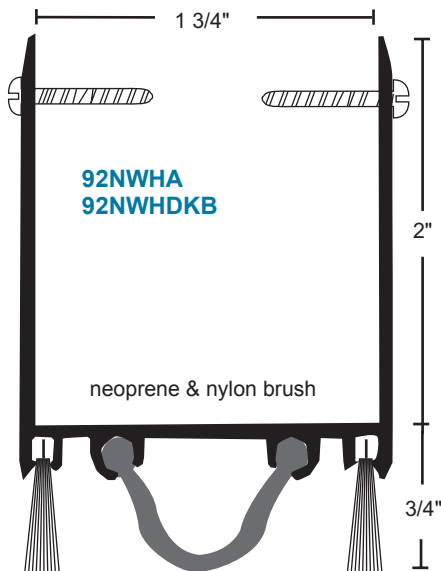
All products this page



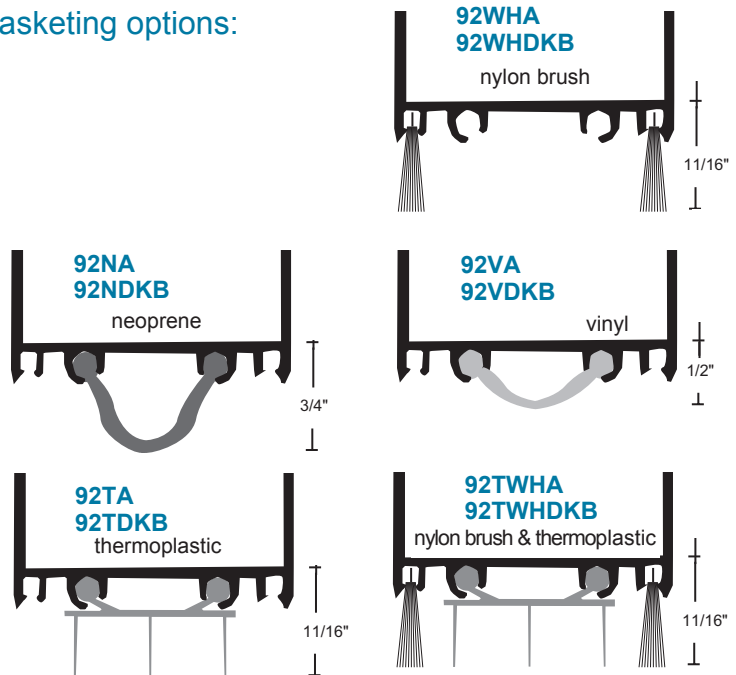
A- anodized aluminum
 B - gold
 DKB - dark bronze
 no suffix - mill aluminum

vinyl is gray
 neoprene is black
 thermoplastic is dark brown
 nylon brush is gray with anodized aluminum; black with DKB metal

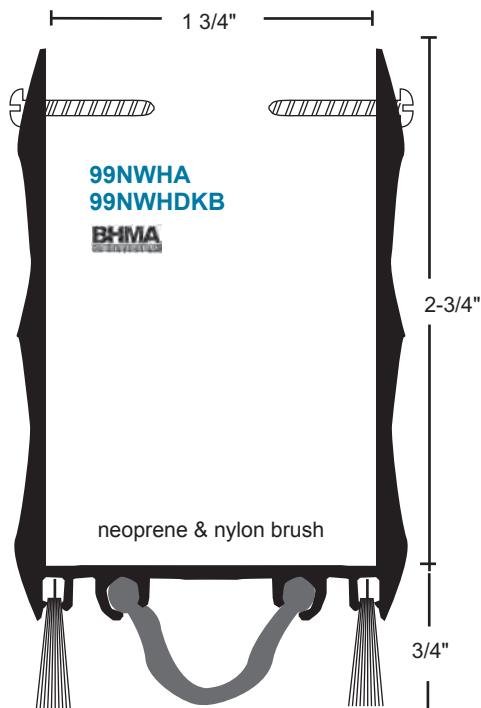
92 Series



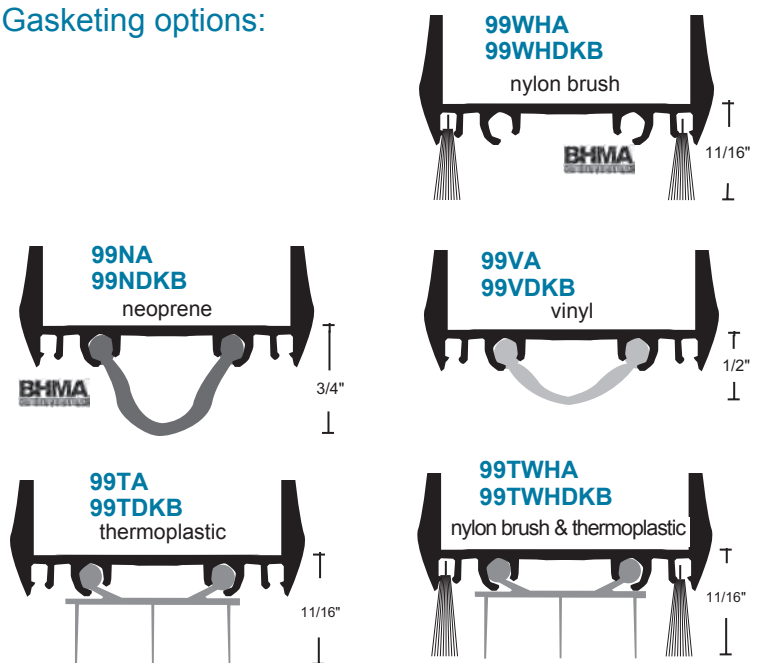
Gasketing options:



99 Series



Gasketing options:



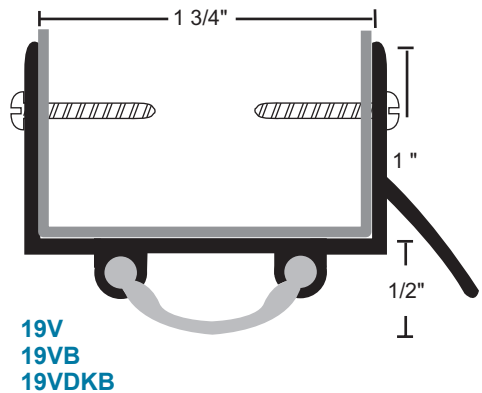
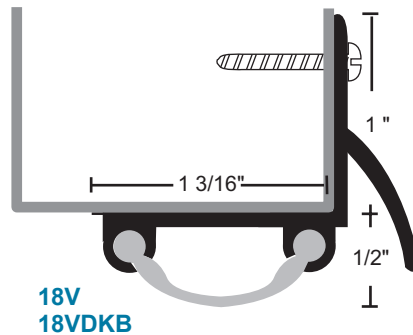
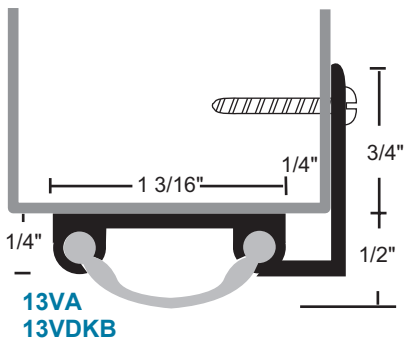
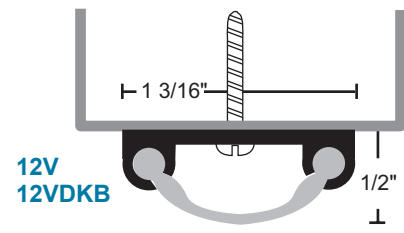
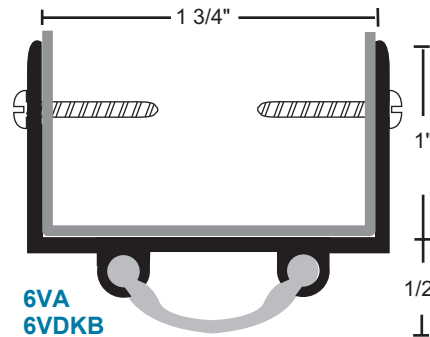
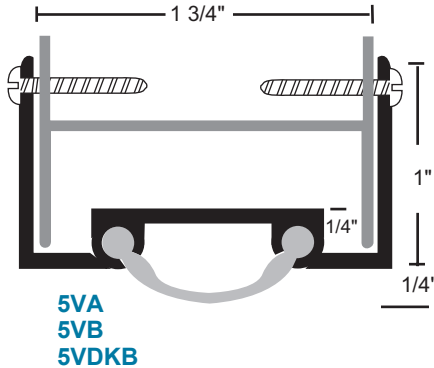
Smooth Vinyl Door Shoes

#6 x 3/4" Stainless Steel Sheet Metal Screws furnished.
Screw holes slotted for adjustment.

All vinyl door shoes this section

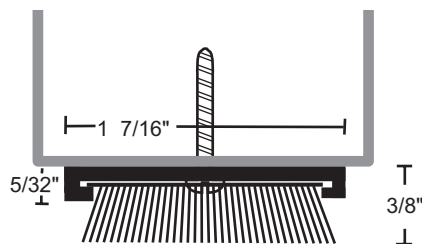


A - anodized aluminum
B - gold
DKB - dark bronze
no suffix - mill aluminum
vinyl is gray



Polypropylene Pile Door Shoes

#6 x 3/4" Stainless Steel
SMS furnished.
Pile is gray



BHMA

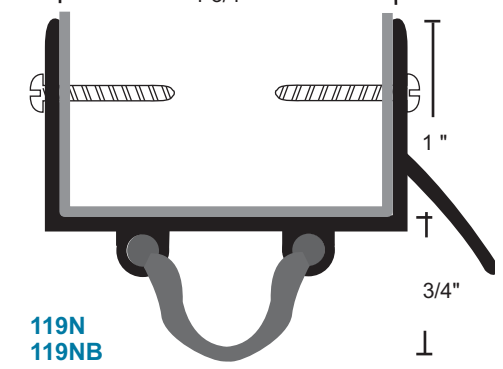
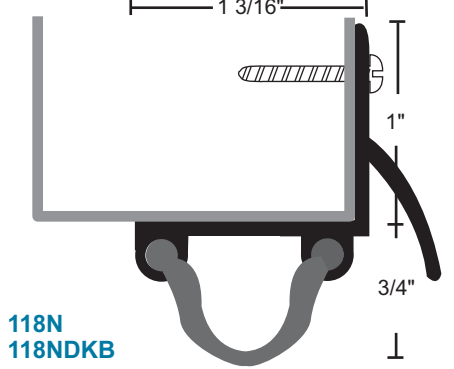
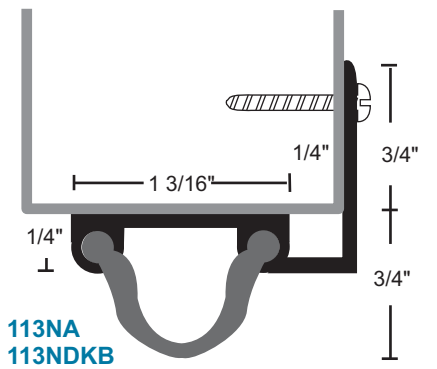
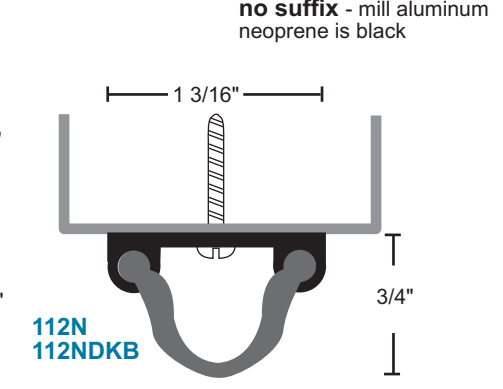
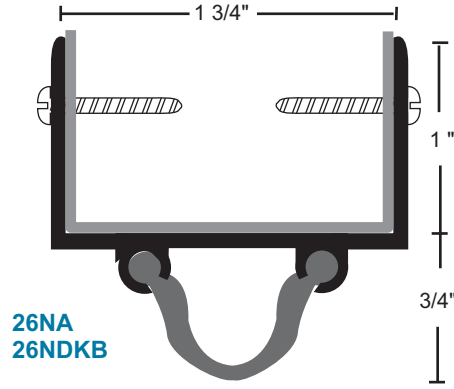
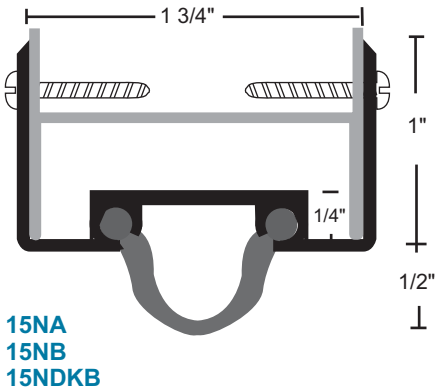
Neoprene Door Shoes

#6 x 3/4" Stainless Steel Sheet Metal Screws furnished.
Screw holes slotted for adjustment.

All neoprene door shoes this section



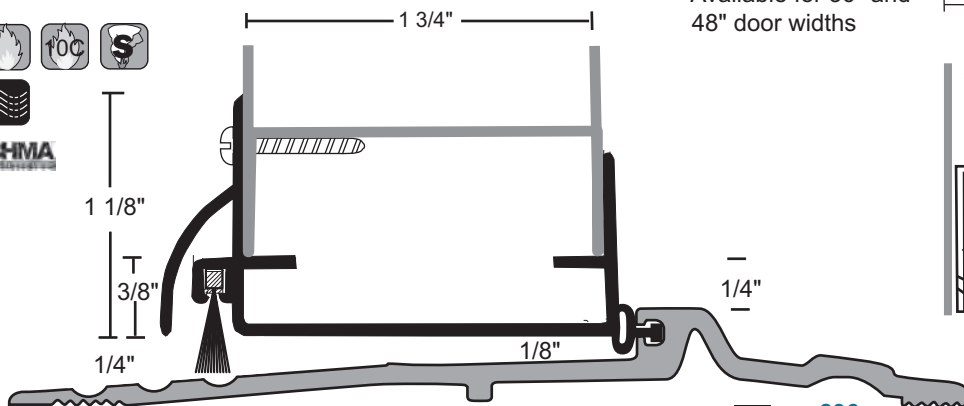
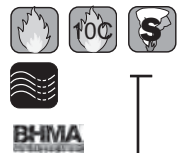
A - anodized aluminum
B - gold
DKB - dark bronze
no suffix - mill aluminum
neoprene is black



Nylon Brush Door Shoe

#6 x 3/4" Stainless Steel SMS furnished
Screw holes slotted for adjustment.

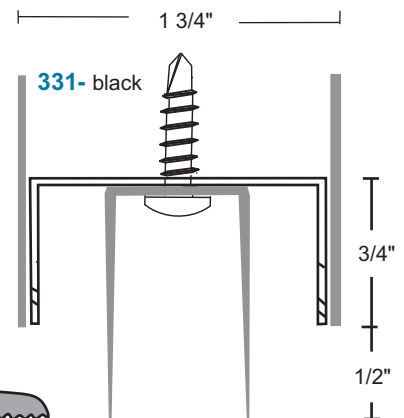
95WH gray brush
95WHDKB - black brush
Door Shoe



Designed for use on standard 3/4" undercut door used with NGP 896 V, N, or S ADA compliant threshold as shown

Double Fin Door Shoe

- Rigid polypropylene top with flexible TPV fins
- Designed for hollow metal doors with inverted bottom channel
- Furnished undrilled
- #8 x 3/4" TEK screws furnished
- Available for 36" and 48" door widths



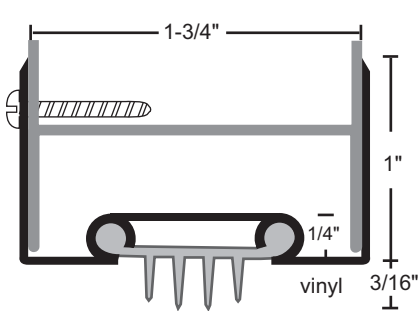
Finned Vinyl Door Shoes

#6 x 3/4" Stainless Steel SMS furnished.
Screw holes slotted for adjustment.

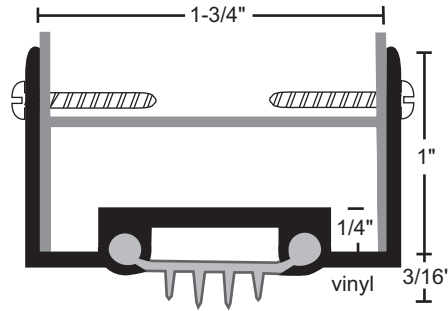
All products this page



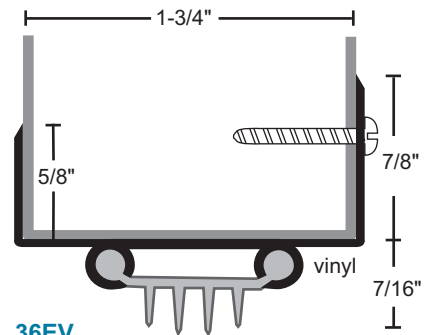
A - anodized aluminum
B - gold
DKB - dark bronze
no suffix - mill aluminum
vinyl is gray



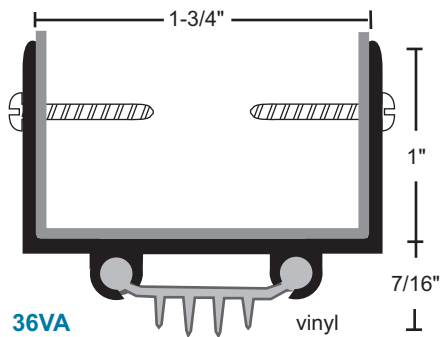
35EV
35EVDKB



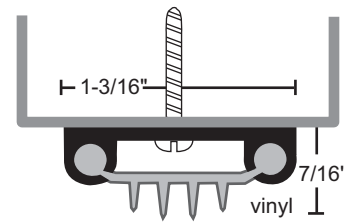
35VA
35VB
35VDKB



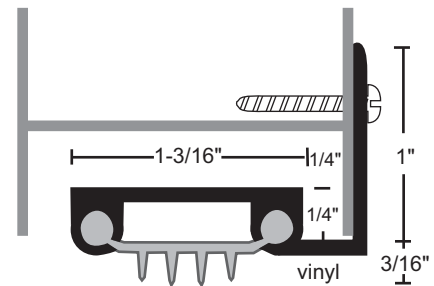
36EV
36EVDKB



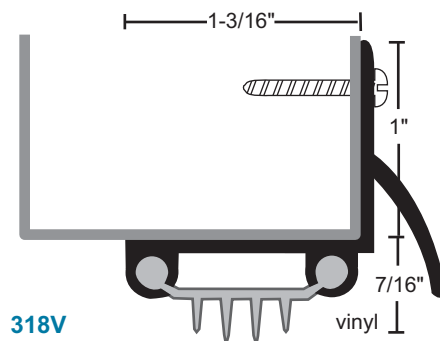
36VA
36VDKB



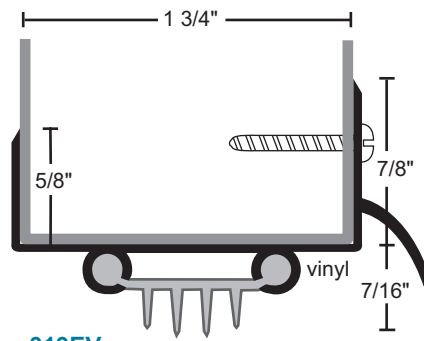
312V
312VDKB



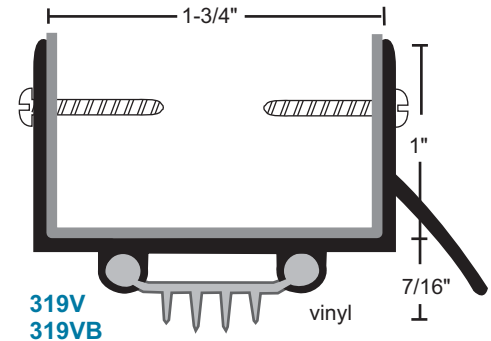
313VA
313VDKB



318V
318VDKB



319EV
319EVDKB



319V
319VB
319VDKB

Thermoplastic Door Shoes

Thermoplastic polymer seal with rigid base and soft vinyl fins.

All products this page



Material Finishes:

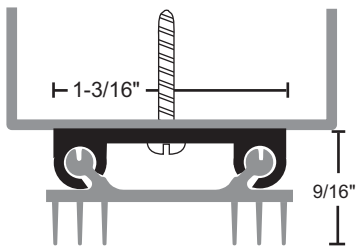
A - anodized aluminum

DKB - dark bronze

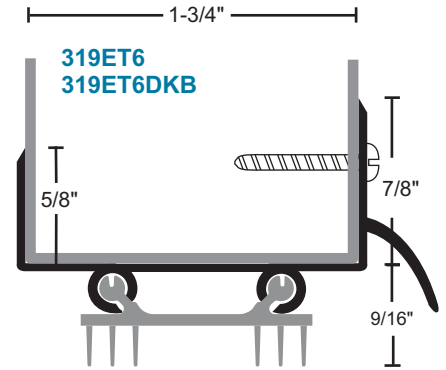
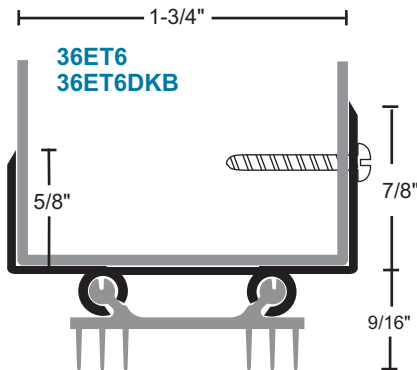
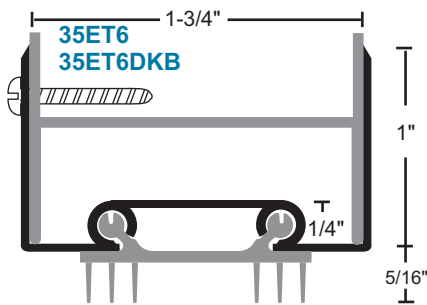
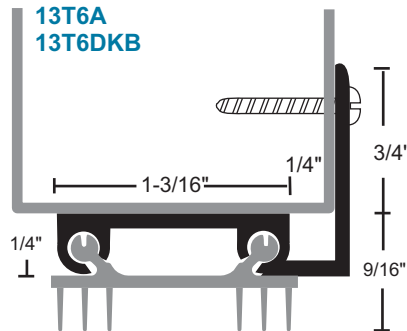
no suffix = mill aluminum

thermoplastic is dark brown

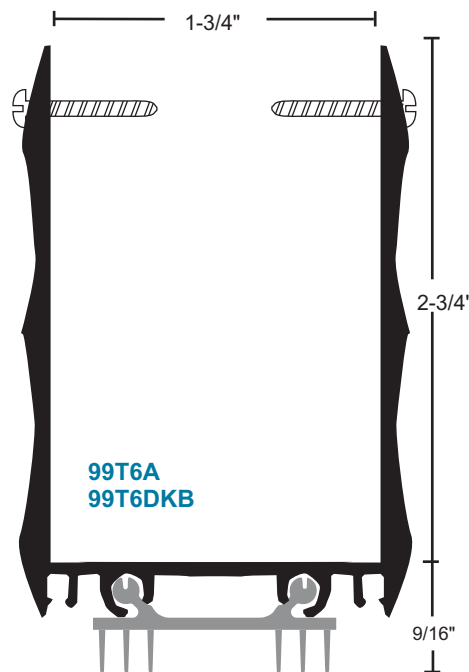
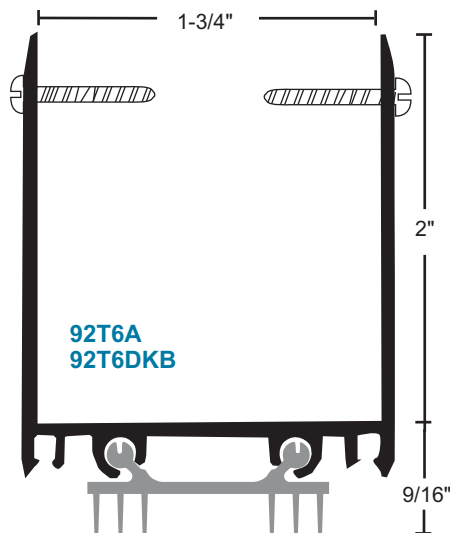
12T6
12T6DKB



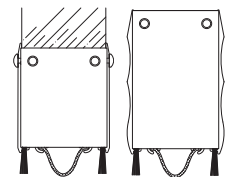
13T6A
13T6DKB



Extended Door Shoes



End caps available -
sold separately

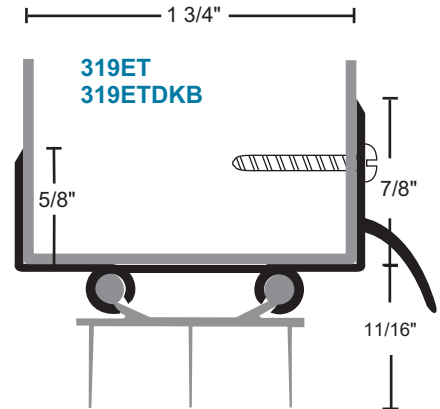
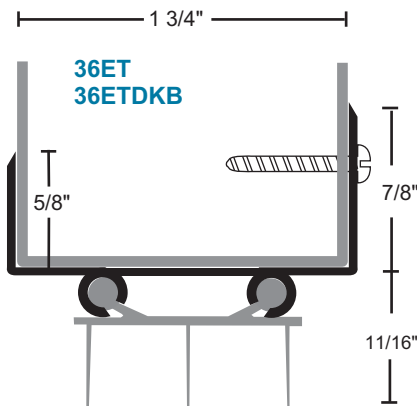
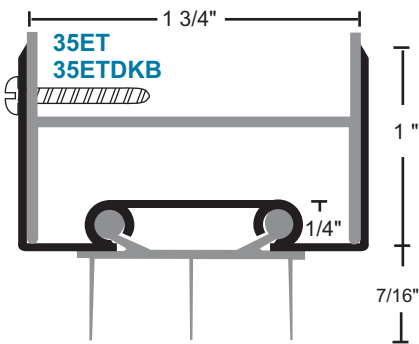
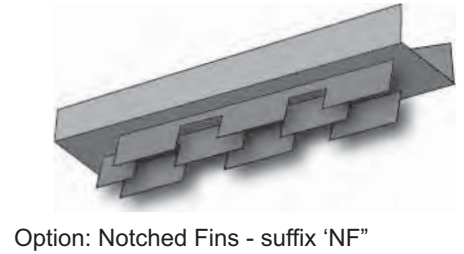
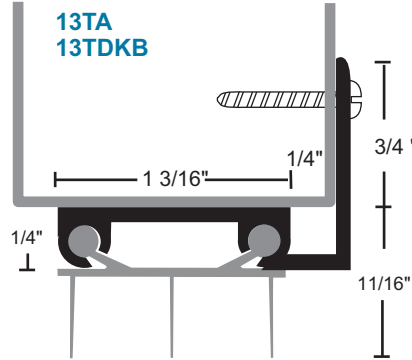
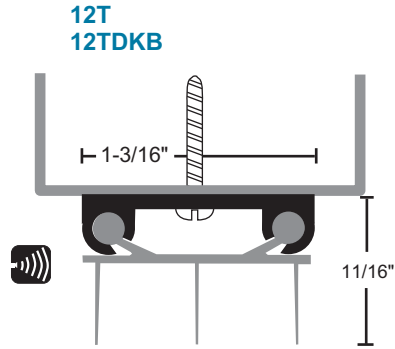


Page
Intentionally
Blank

Thermoplastic Door Shoes

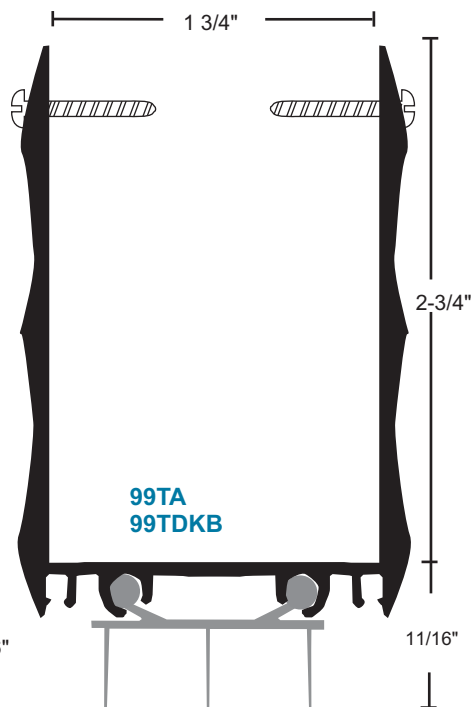
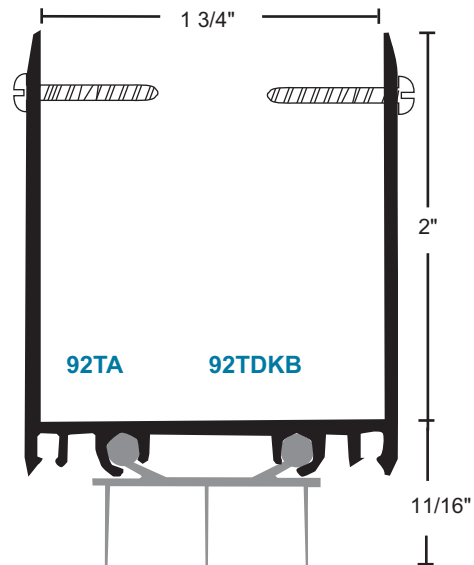
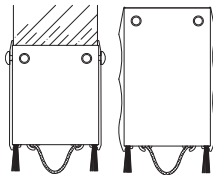
Thermoplastic polymer seal with rigid base and soft vinyl fins. Available with Notched Fins to allow air flow while restricting light, suffix NF.

All products this page



Extended Door Shoes

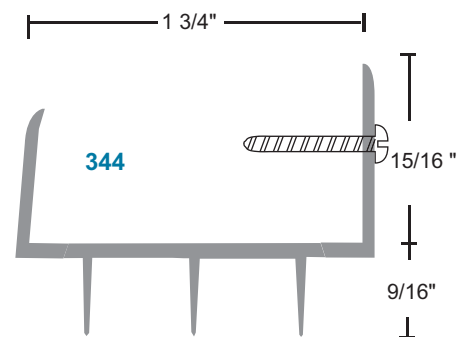
End caps available - sold separately



Material Finishes:
A - anodized aluminum
DKB - dark bronze
no suffix = mill aluminum
 thermoplastic is dark brown

Rigid Thermoplastic Door Shoe with Soft Vinyl Fins

- Available 36" and 48"
- color is dark brown



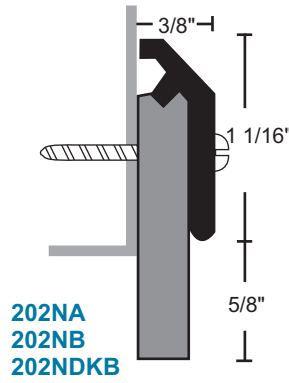
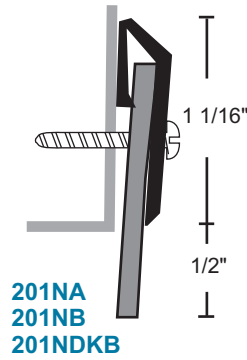
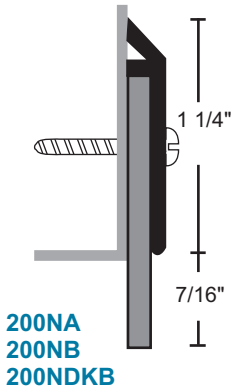
Neoprene Sweeps

#6 x 3/4" Stainless Steel Sheet Metal Screws furnished.
Screw holes slotted for adjustment.
Neoprene is black

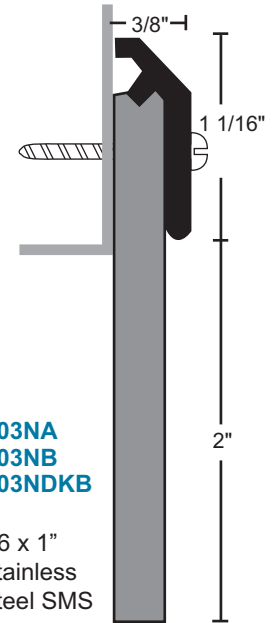
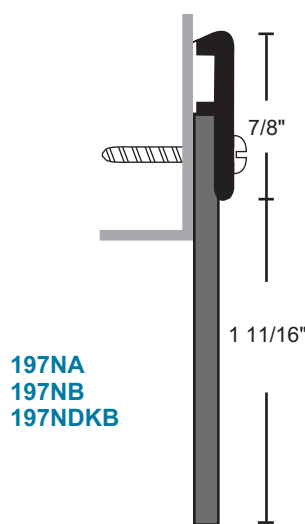
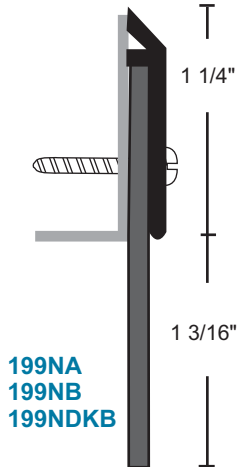
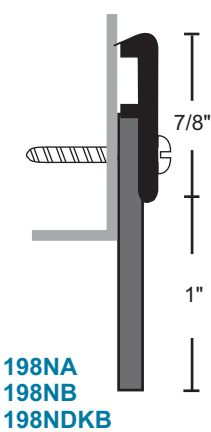
All products this page



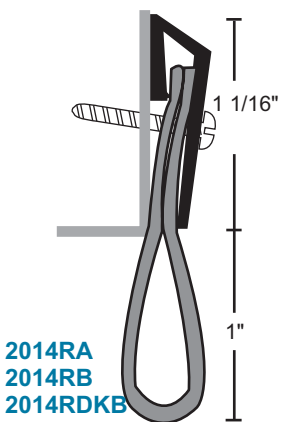
Material Finishes:
A - anodized aluminum
DKB - dark bronze
no suffix = mill aluminum
neoprene is black



#6 x 1" stainless steel SMS

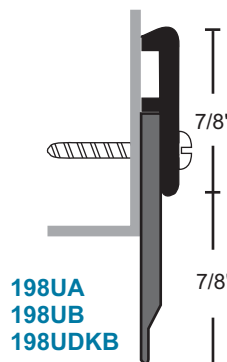
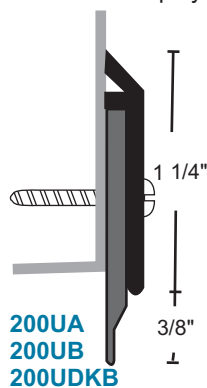


Reinforced Neoprene Sweep



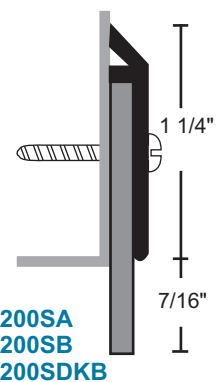
Polyurethane Sweeps

polyurethane is black



Silicone Sweep

silicone is gray



Vinyl Sweeps

#6 x 3/4" Stainless Steel SMS furnished.
Screw holes slotted for adjustment.

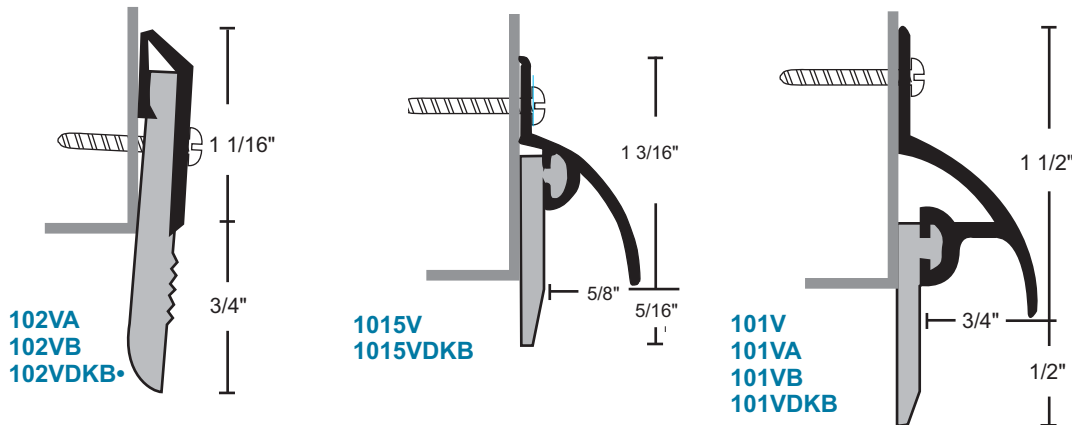
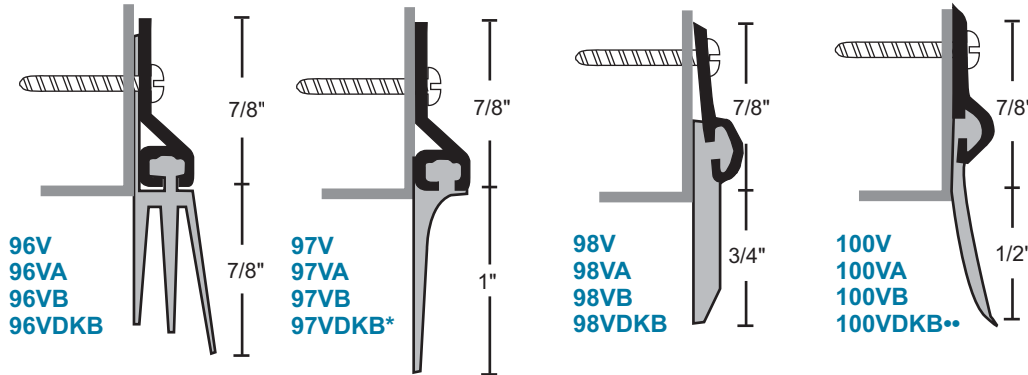
All products this page



A - anodized aluminum
B - gold
DKB - dark bronze
no suffix - mill aluminum

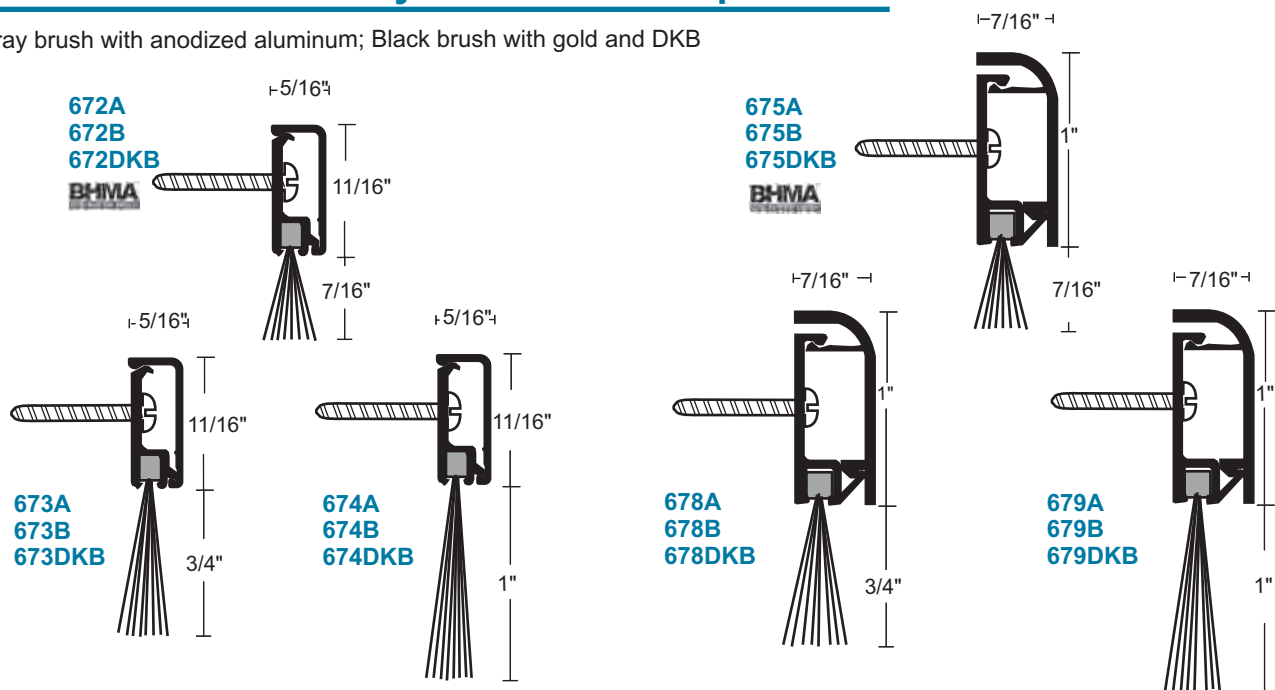
vinyl is gray

Exceptions:
•vinyl is black
••vinyl is brown



Concealed Fastener Nylon Brush Sweeps

Gray brush with anodized aluminum; Black brush with gold and DKB

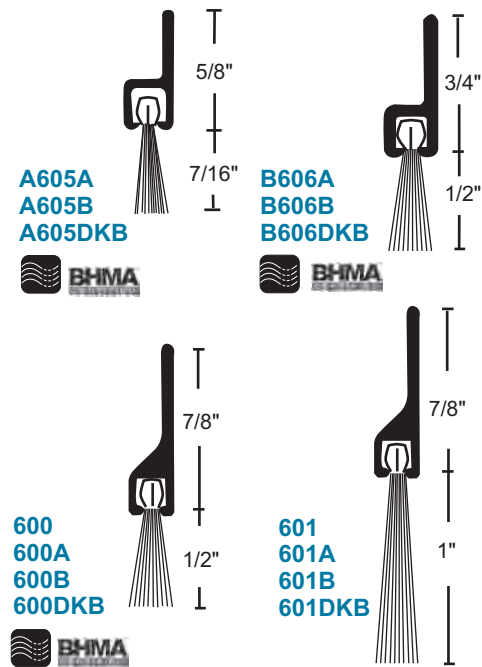


Nylon Brush Sweeps

#6 x 3/4" Stainless Steel Sheet Metal Screws furnished.
Screw holes are slotted for adjustment.

- A - anodized aluminum with gray brush
- B - gold with black brush
- DKB - dark bronze with black brush
- no suffix - mill aluminum with gray brush

All products this page



Nylon Brush Plus

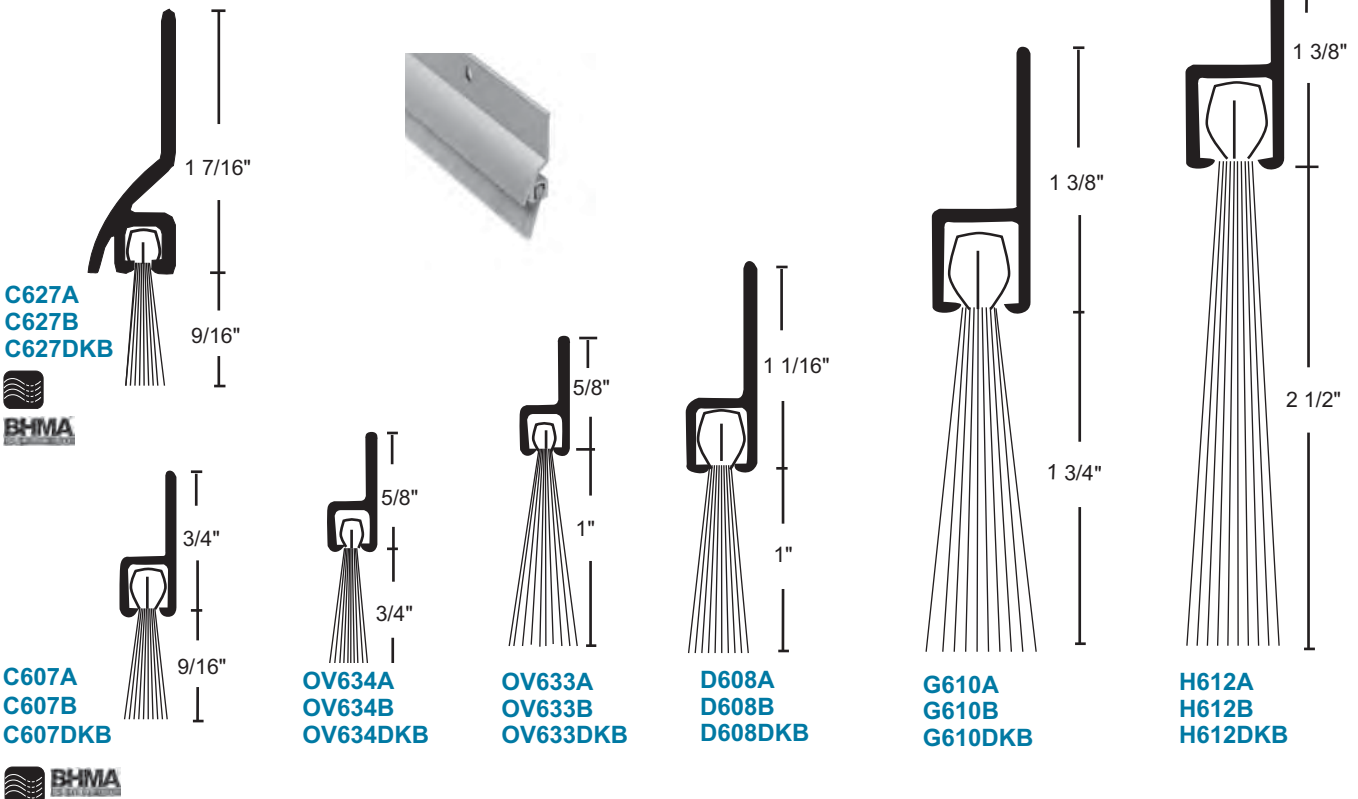
Our exclusive line of premium grade seals specially formulated to withstand greater temperature extremes while providing maximum protection against air infiltration.

9605A
9605B
9605DKB

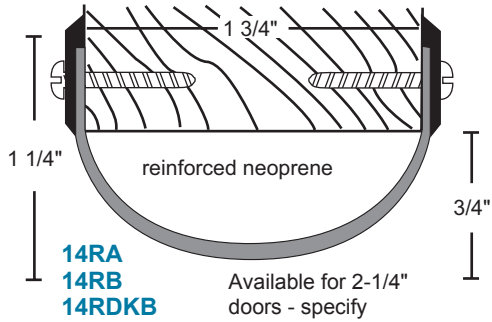
9600
9600A
9600B
9600DKB

9675
9675A
9675B
9675DKB

Dimensions: 5/8", 7/16", 7/8", 1/2", 1", 7/16", 7/16"



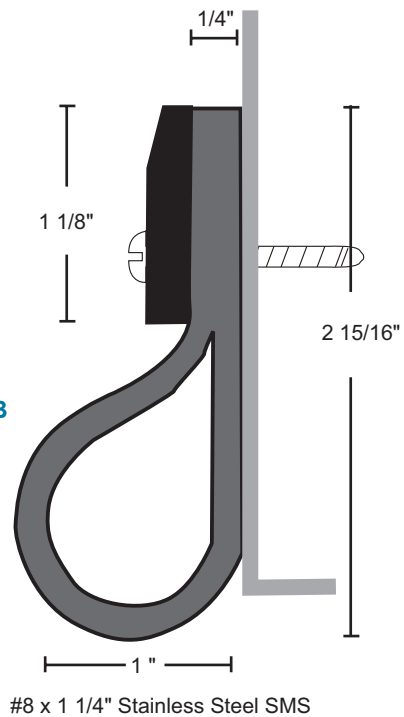
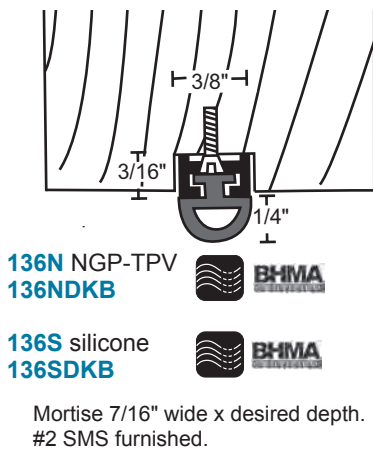
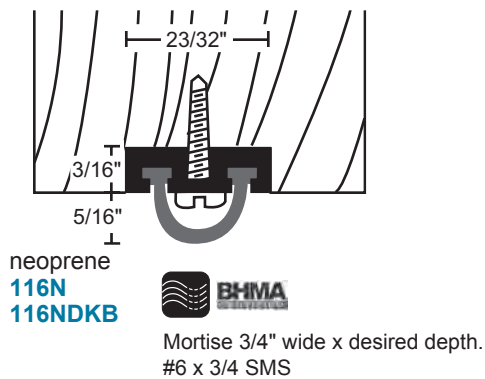
Door Bottom Seals



Material Finishes:
A - anodized aluminum
B - gold
DKB - dark bronze
no suffix = mill aluminum
 neoprene, silicone & NGP-TPV are black

Overhead Door Bottom Seal

- Properties:
- Synthetic rubber polymer blend: Chloroprene and EPDM
 - Very good abrasion resistance, tensile strength and memory
 - Flame resistant
 - Moisture resistant
 - Temperature range -20°F to 200°F
 - Good resistance to ozone sunlight and aging

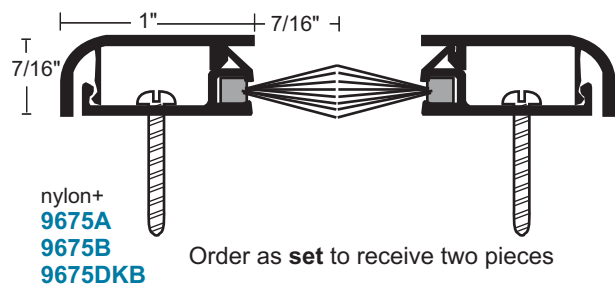
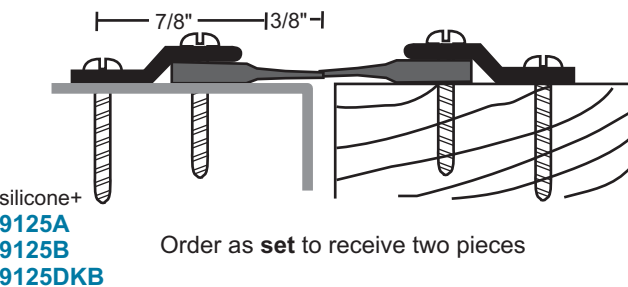
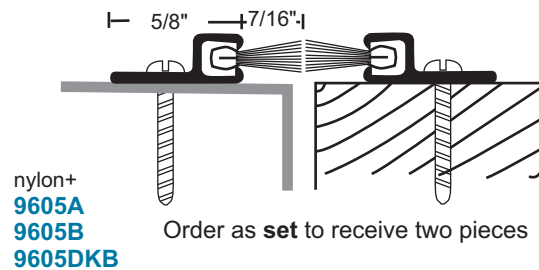
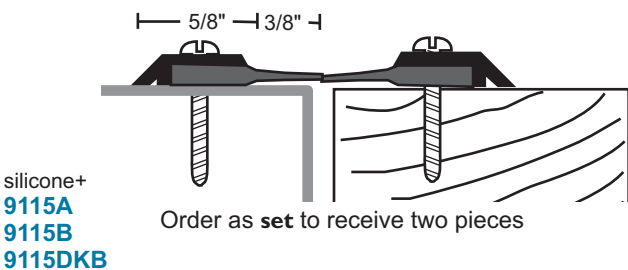
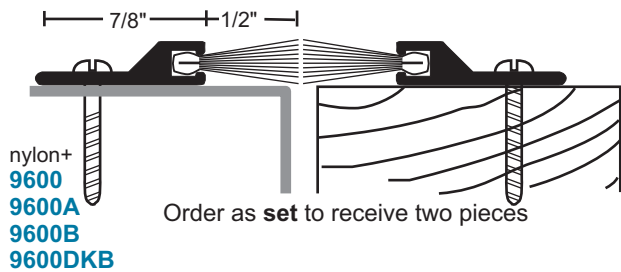
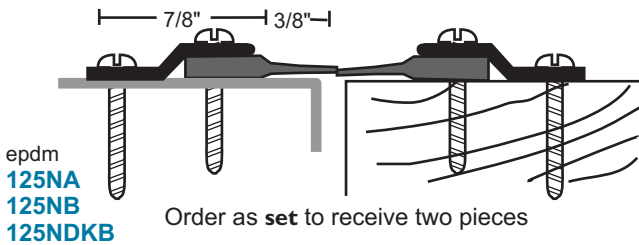
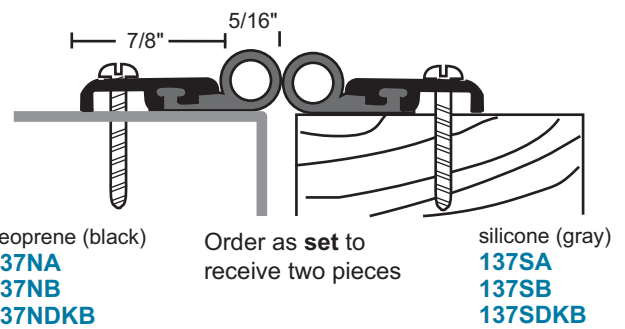
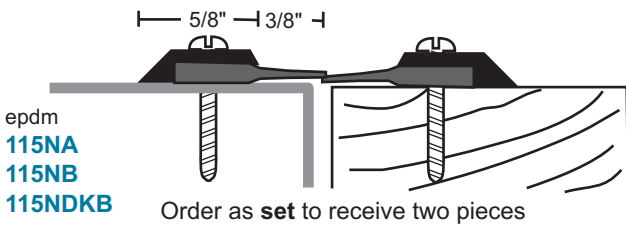


Smoke-Rated Astragal Seals

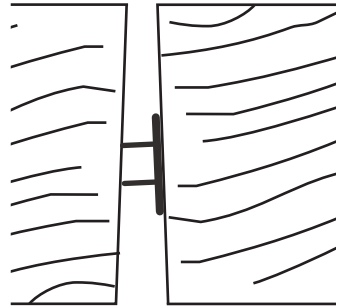
Fire-rated Astragal Seals cannot replace any astragal required on the door by the door manufacturer to maintain its fire label. IBC, NFPA 80, NFPA105, and NFPA 252 require the gap at the meeting edge between fire labeled doors must not exceed 1/8".

#6 x 3/4" Stainless Steel Sheet Metal Screws furnished. Screw holes are slotted for adjustment.

Metal	epdm	silicone	nylon+
A - anodized aluminum	gray	tan	gray
B - gold	black	tan	black
DKB - dark bronze	black	tan	black
no suffix - mill aluminum	gray	tan	gray



All products this page



5070B Brown
5070CL Clear
self-adhesive TPE

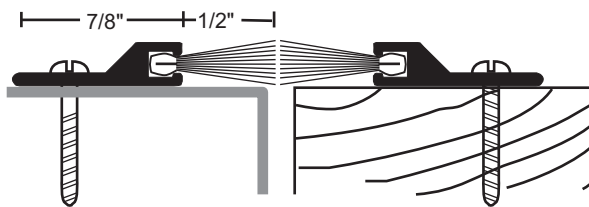


* antimicrobial not available in clear

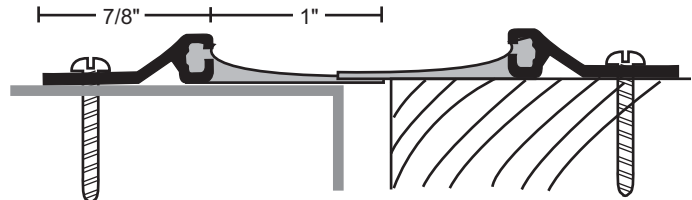
Surface Mounted Astragal Sets

#6 x 3/4" Stainless Steel SMS furnished.
Screw holes are slotted for adjustment.

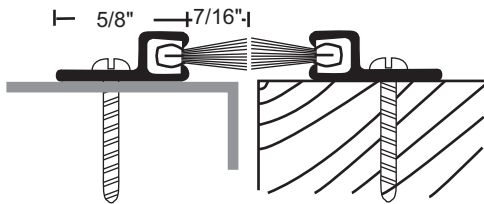
A - anodized aluminum
B - gold
DKB - dark bronze
no suffix - mill aluminum
Brush is gray with mill finish and anodized aluminum metal; black with gold and DKB vinyl is gray, except * vinyl is black



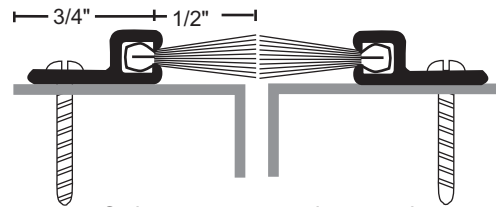
nylon brush Order as **set** to receive two pieces
600
600A
600B
600DKB



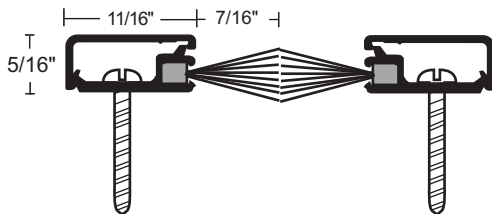
vinyl Order as **set** to receive two pieces
97V
97VA
97VB
97VDKB



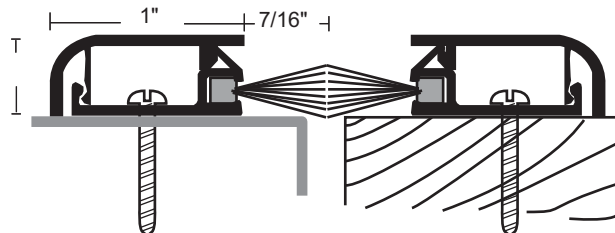
nylon brush Order as **set** to receive two pieces
A605A
A605B
A605DKB



nylon brush Order as **set** to receive two pieces
B606A
B606B
B606DKB



nylon brush Order as **set** to receive two pieces
672A
672B
672DKB

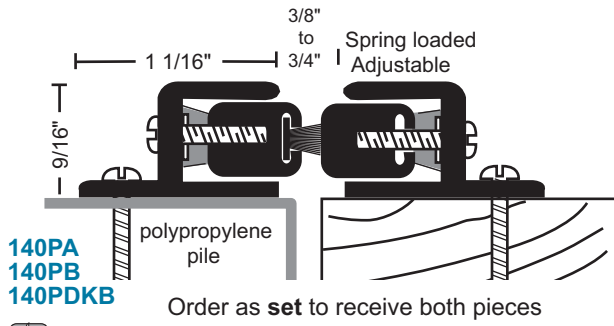


nylon brush Order as **set** to receive two pieces
675A
675B
675DKB

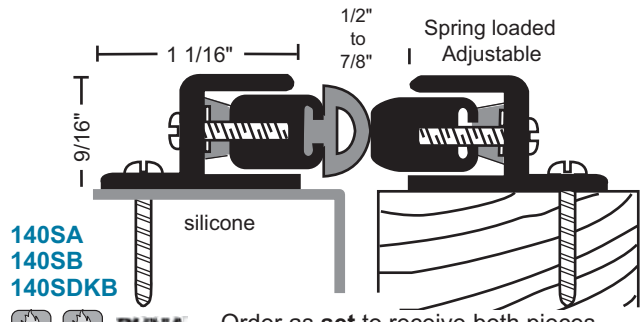


Spring Adjustable Astragal Sets

- * Adjustment screws on 10" centers allow adjustment of the seal without re-positioning mounting location.
- * Spring-loaded to maintain constant pressure for the most effective seal

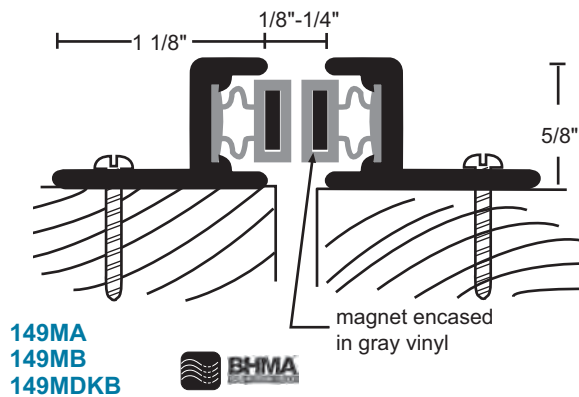


* up to 3 hrs. metal doors, 20 min.. wood doors

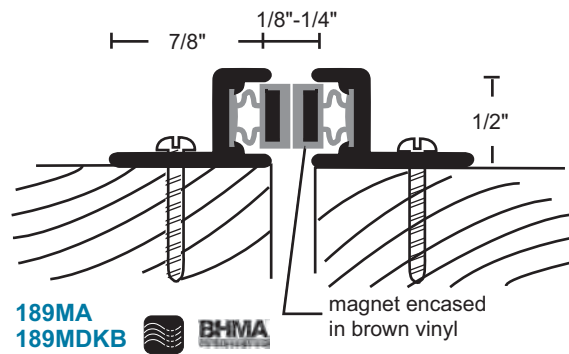


Magnetic Astragal Sets

#6 x 3/4" Stainless Steel SMS furnished.
Screw holes are slotted for adjustment
Not recommended for use on metal doors



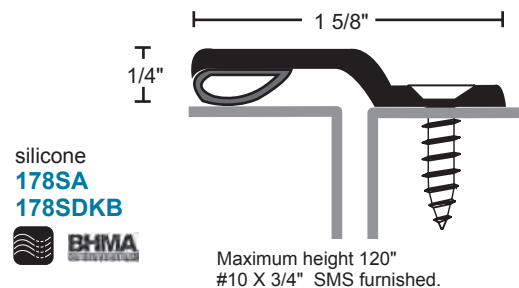
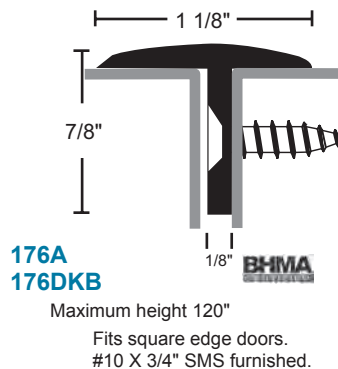
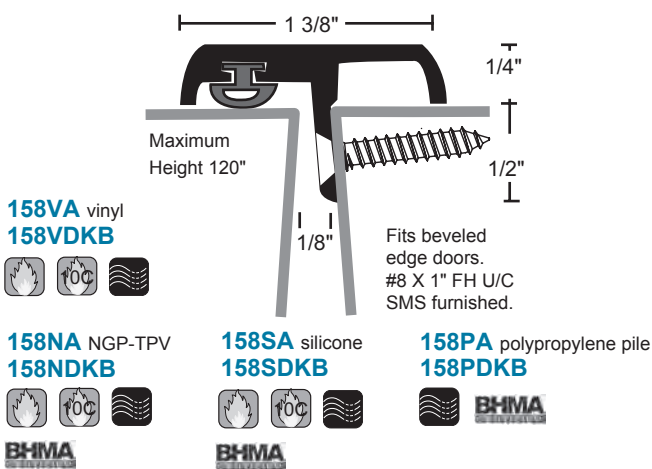
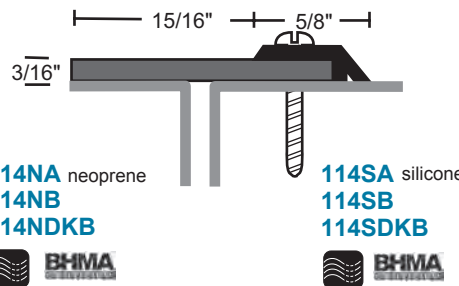
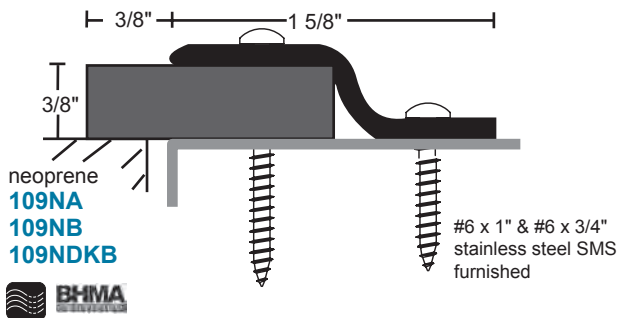
Provided as two piece set



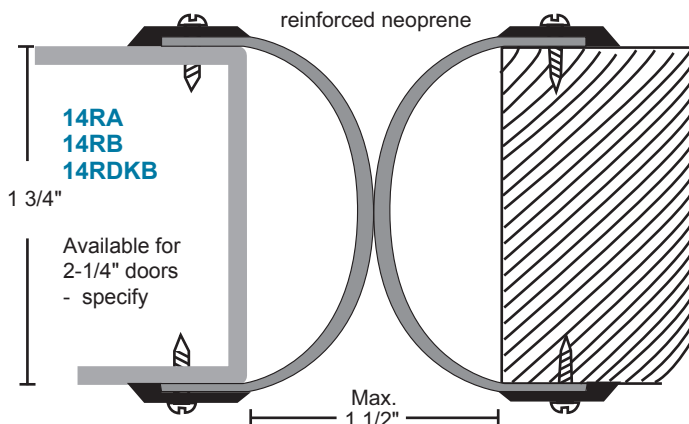
Provided as two piece set

Overlapping Astragals

A - anodized aluminum
B - gold
DKB - dark bronze
no suffix - mill aluminum
 vinyl & pile are gray
 neoprene, NGP-TPV & silicone are black; except 114 silicone is gray



Specialty Astragal



Solid Metal Astragals

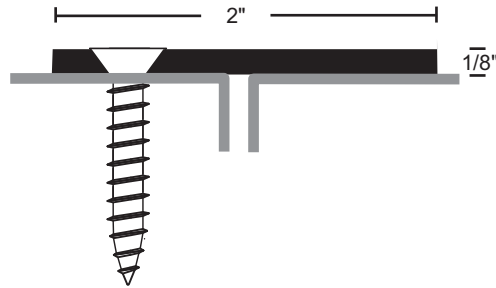
- Available lead-lined .030" thick lead, suffix "LD"
- Available with SNB, specify



- 139SP Steel Prime Coat**
139SPDKB Steel Dark Bronze



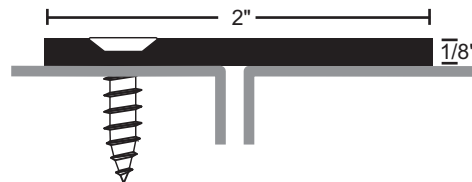
Furnished with #12 x 1-1/4" SMS. Can replace astragal required by the door manufacturer on wood or metal fire-rated doors. IBC, NFPA80, NFPA 252 require the gap at the meeting edge between fire labeled doors must not exceed 1/8". Astragal must overlap gap and inactive door minimum of 3/4".



- 139A Anodized Aluminum**
139DKB Aluminum Dark Bronze
139BR Brass



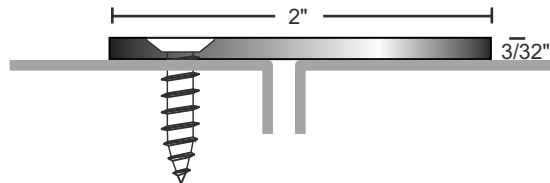
#10 x 3/4" SMS furnished



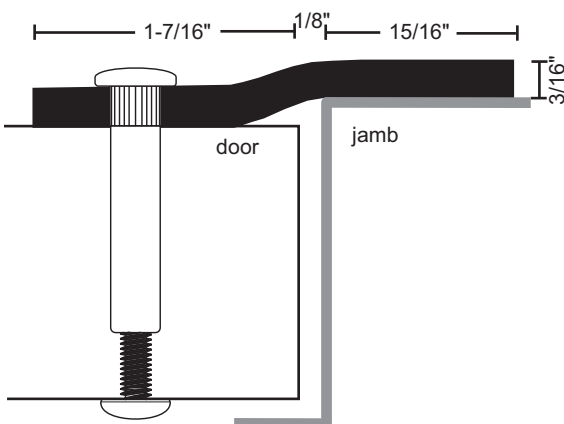
- 139SS Stainless Steel**
type 304 brushed #4 finish (US32D, 630)



#10 x 3/4" SMS furnished



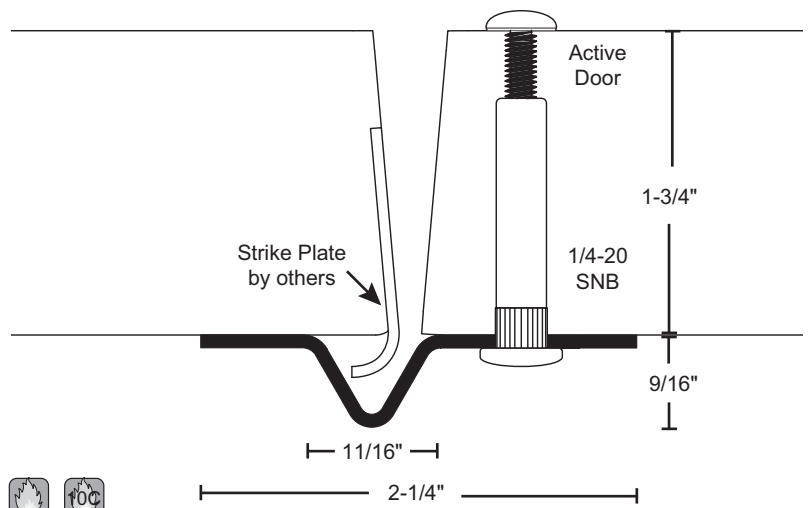
Steel Security Astragals



- 1392SP Steel Prime Coat**



Maximum height 120"
#1/4-20 SNB's furnished.

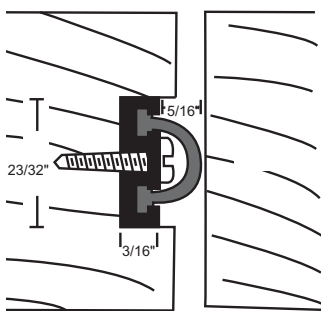
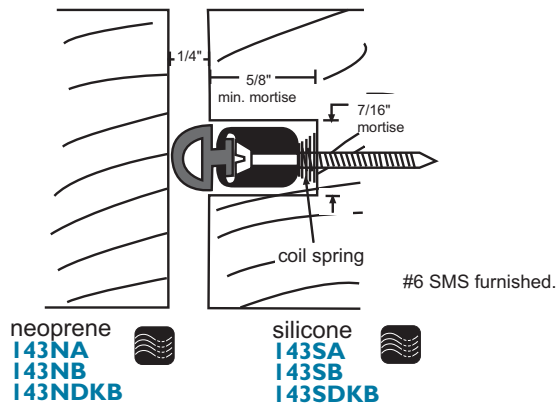
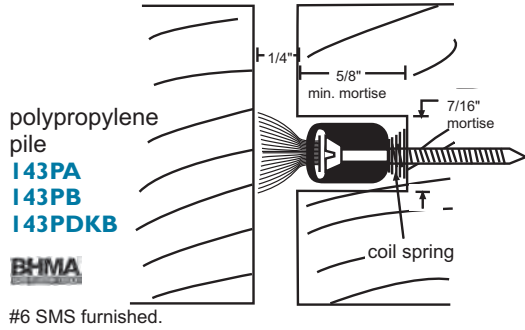


- 1390SP-83-1/8" 14 Ga. Galvanneal Steel Prime Coat**
1390SP-95-1/8"

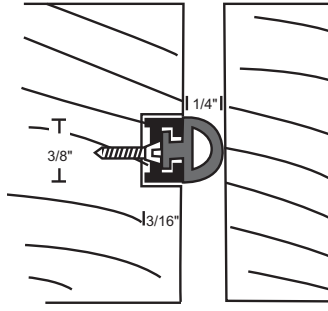
Fits over curved lip strikes.
No notching, no field cutting.

Mortised Astragals

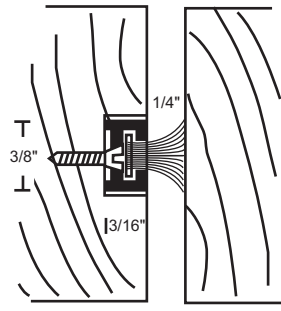
A - anodized aluminum
B - gold
DKB - dark bronze
no suffix - mill aluminum
 nylon brush, pile, and vinyl are gray
 neoprene, NGP-TPV & silicone are black



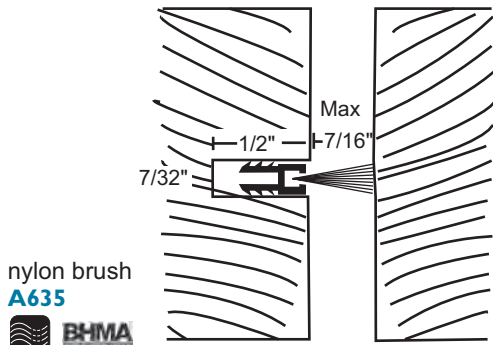
Mortise dimensions 3/4" wide x desired depth.
 #6 X 3/4" SMS furnished.



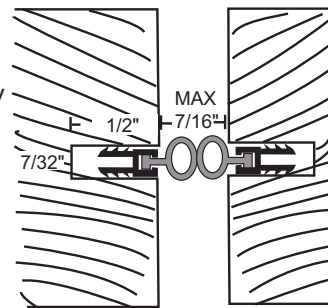
Mortise dimensions 7/16" wide x desired depth. #2 SMS furnished.



Mortise dimensions 7/16" wide x desired depth.
 #2 SMS furnished.



Mortise dimensions 7/32" x 1/2"
 Order as **set** to receive two pieces
 Maximum length 108"

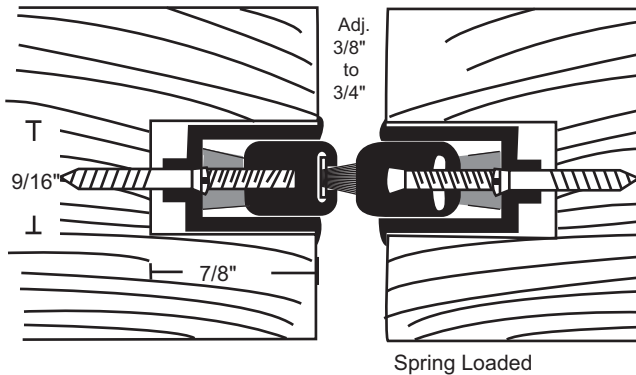


Mortise dimensions 7/32" wide x 1/2"
 Order as **set** to receive two pieces
 Maximum length 108"

Spring Adjustable Mortised Astragals

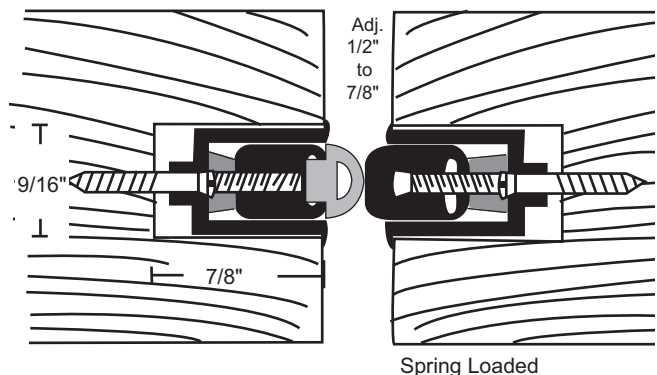
- Adjustment screws on 10" centers allow adjustment of the seal without repositioning mounting location.
- Spring-loaded to maintain constant pressure for the most effective seal.

A - clear anodized
B - gold
DKB - dark bronze
Pile is gray
Silicone is black



polypropylene pile
I44PA
I44PB
I44PDKB

Mortise dimensions 9/16" wide x 7/8"
#8 x 3/4" SMS furnished
Order as set to receive both pieces

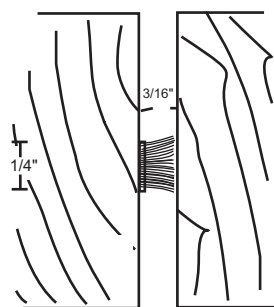


silicone
I44SA
I44SB
I44SDKB

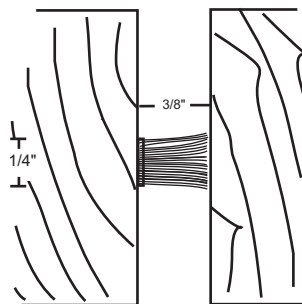
Mortise dimensions 9/16" wide x 7/8"
#8 x 3/4" SMS furnished
Order as set to receive both pieces



Self-Adhesive Pile Astragals



340P polypropylene pile



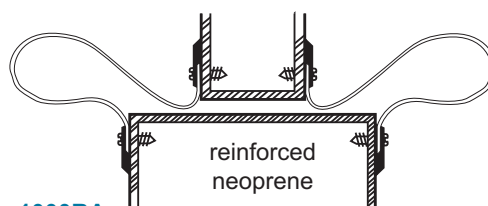
336P polypropylene pile



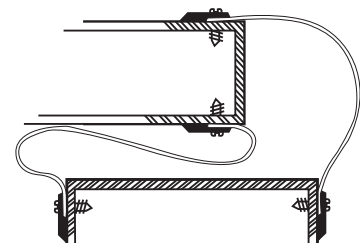
Safety Seal for Double-Acting Doors

Seals and closes gap at heel of double-acting or center pivoted doors.

#6 x 3/4" Stainless Steel Sheet
Metal Screws furnished.



1000RA
1000RB
1000RDKB

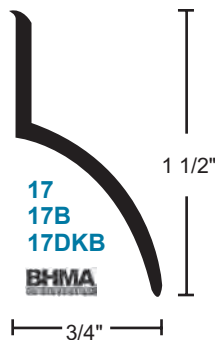
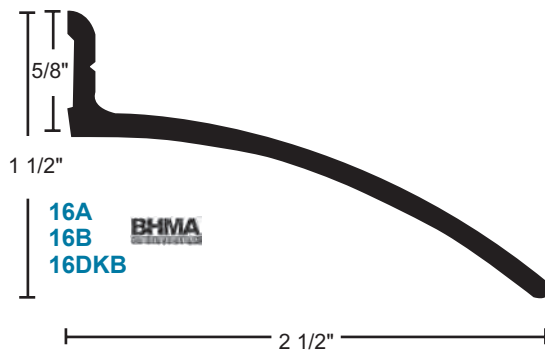


5", 10" or 16" overall widths available - Specify

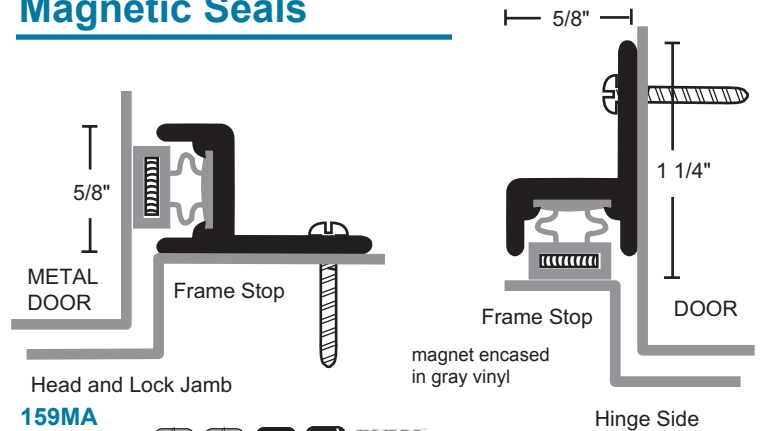
Rain Drip Guards

#6 x 3/4" Stainless Steel
SMS furnished

A - anodized aluminum
B - gold
DKB - dark bronze
No Suffix - mill aluminum



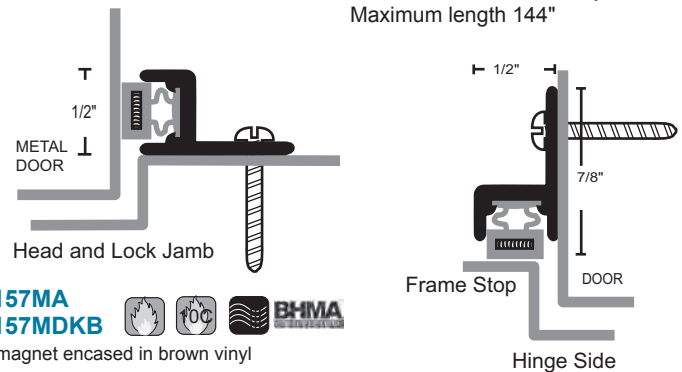
Magnetic Seals



159MA
159MB
159MDKB



#6 x 3/4" Stainless Steel SMS furnished.
Screw holes slotted for adjustment.
Maximum length 144"



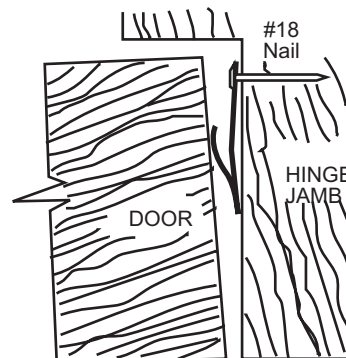
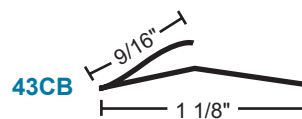
157MA
157MDKB



magnet encased in brown vinyl

Cushion Bronze Weatherstrip

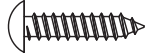
Cushion material will not coil. Specify lengths required (36", 48", 72", 84", and 96".) Nails not included. Normal installation requires 3/4 lb. of nails per 100 ft. of weatherstrip; install 2" o.c. Zinc plated bronze finish nails available in 1 lb. bags. Wafer head pilot point drive nails make excellent applications for metal jambs, normal installation requires 6 per foot. Install using #41 drill bit. Available with Fast Attach Tape - Specify x "FATT".



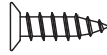
GASKETING FASTENERS



#2 x 1/2" FH
Phillips SMS



#4 x 5/8" TH
Phillips SMS
Use 5/64" Drill



#6 x 1/2" FH
Phillips SMS
Use 7/64" Drill



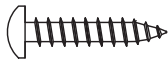
Phillips Head
Top View



Spanner Head
Top View



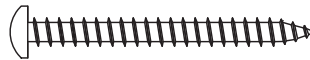
Torx Security
Top View



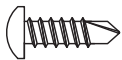
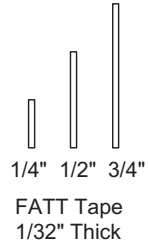
#6 x 3/4" PH
Phillips SMS
Use 7/64" Drill



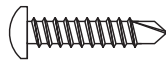
#6 x 1" PH
Phillips SMS
Use 7/64" Drill



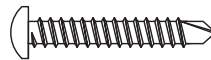
#6 x 1 1/2" PH
Phillips SMS
Use 7/64" Drill



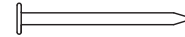
#6 x 1/2"
Phillips
TEK Screw



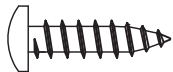
#6 x 3/4"
Phillips
TEK Screw



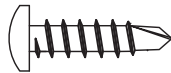
#6 x 1"
Phillips
TEK Screw



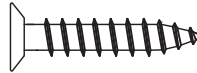
#18 x 7/8" Nail for
Spring/Cushion
Bronze Weather Strip
on Wood Jambos



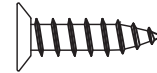
#8 x 3/4" PH
Phillips SMS
Use 9/64" Drill



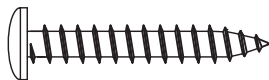
#8 x 3/4"
Phillips
TEK Screw



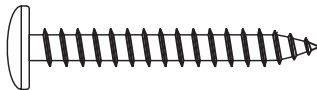
#8 x 1" FH
Phillips U/C SMS
Use 9/64" Drill



#10 x 3/4" FH
Phillips U/C SMS
Use 11/64" Drill



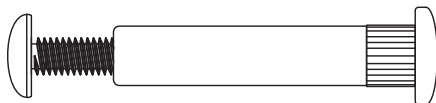
#8 x 1 1/4" TH
Phillips SMS
Use 9/64" Drill



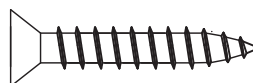
#10 x 1 1/2" TH
Phillips SMS
Use 11/64" Drill



#4 Wafer Head Drive Nail
for Spring/Cushion
Bronze Weather Strip
on Metal Jambos
Use #41 Drill bit for pilot hole



#1/4 - 20 Phillips SNB

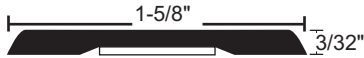


#12 x 1 1/4" FH
Phillips SMS

PH = Pan Head
FH = Flat Head
TH = Truss Head
MS = Machine Screw
SMS = Sheet Metal Screw
SNB = Sex Nut & Bolt
U/C = Undercut

NGP-Edge® Sealing System for Excessive Fire Door and Frame Clearances

UL Certified Solutions for Fire doors with Excessive clearance between door and frame over 1/8", up to 5/16"



9200 Gray
9200DKB Brown



Anti-Microbial protection proven up to 99% effective at killing a wide range of bacteria including MRSA and E-coli

NGP-Edge® Intumescent Fire Seal

UL Certified Miscellaneous Fire Door Accessory for excessive door and frame clearances, measuring up to 5/16"

20 minute rated UL10B and UL10C wood or hollow metal fire doors

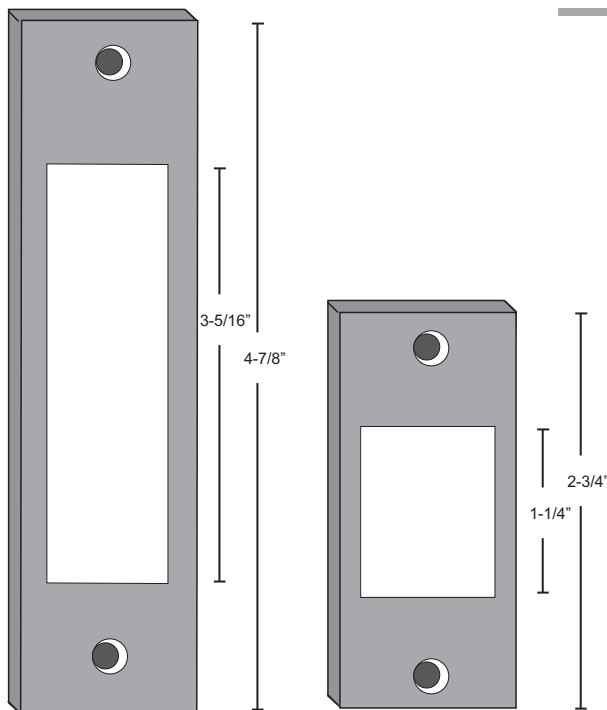
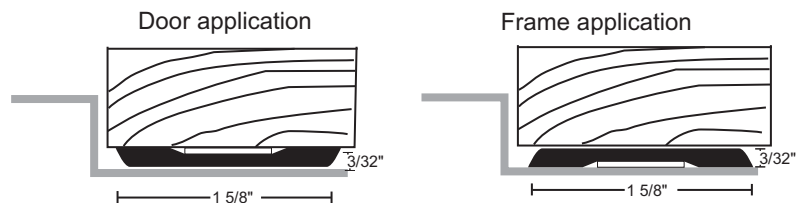
An NGP strike shim 9275 or 9225 is also required for proper latchbolt engagement.

Intumescent with PVC cover

Available in 36", 48", 84", 96" and 108" lengths

Self-Adhesive

See adhesive specifications on page G9



9275 Gray Paint finish

9225 Gray Paint finish

Strike Shims

9275 - Fits 4 7/8" 'ASA' Strike Plate

9225 - Fits 2 3/4" 'T' Strike Plate

UL Certified Miscellaneous Fire Door Accessory for excessive door and frame clearances, measuring up to 5/16"

20 minute rated UL10B and UL10C wood or hollow metal fire doors

NGP 9200 self adhesive intumescent seal is also required where excessive clearance occurs at jambs and head.

NGP-Edge® Sealing System for Excessive Fire Door Bottom Undercuts/Clearance

UL Certified Solutions for Fire doors with Excessive Door Bottom Clearances up to 1-1/2"

NGP-Edge® Intumescent Door Shoes

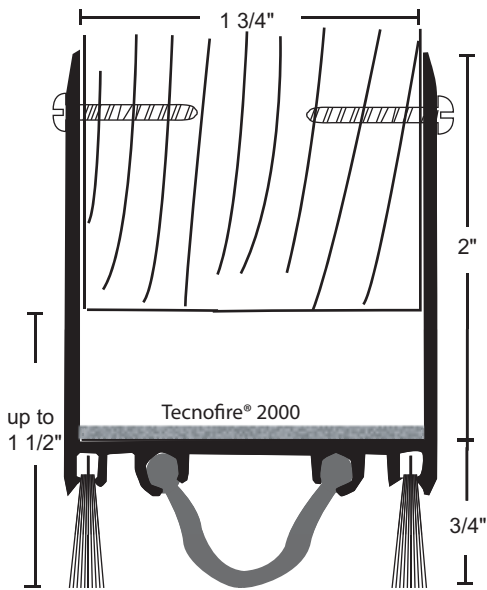
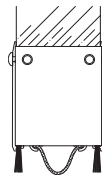
9250 Series

UL Certified Miscellaneous Fire Door Accessory for excessive door bottom undercuts/clearances, measuring up to 1-1/2"

20 minute rated UL10B and UL10C wood or hollow metal fire doors

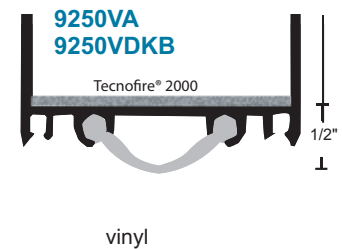
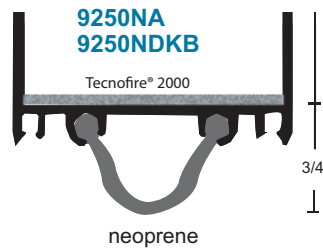
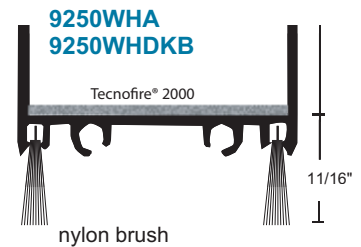
Restricts the passage of smoke

End caps available - sold separately



9250NWA neoprene & nylon brush
9250WHDKB neoprene & nylon brush

Gasketing options:



#6 x 3/4" Stainless Steel SMS furnished.

A- anodized aluminum
DKB - dark bronze

vinyl is gray
neoprene is black
thermoplastic is dark brown
nylon brush is gray with anodized aluminum; black with DKB metal

